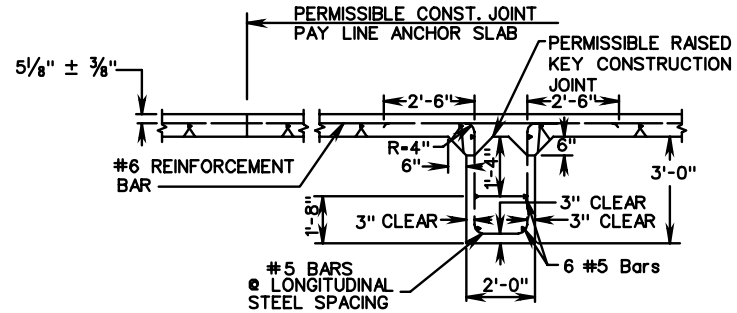
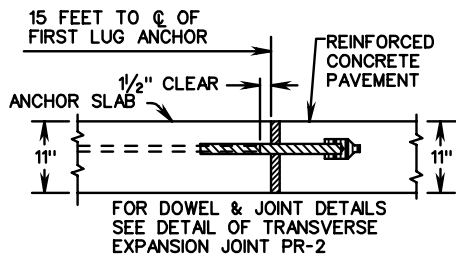


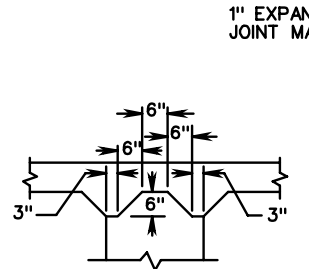
PLAN VIEW ANCHOR SLAB TYPE I



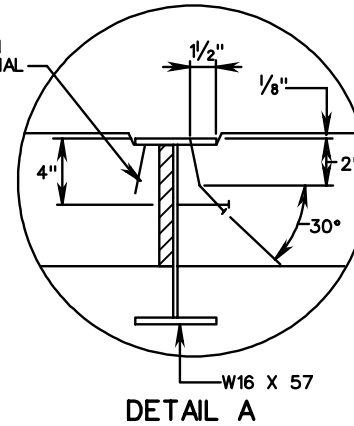
SECTION D-D



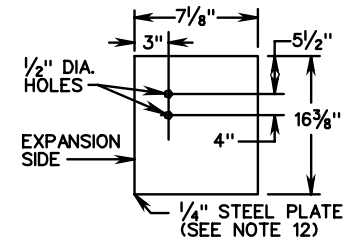
SECTION E-E ANCHOR SLAB TYPE I



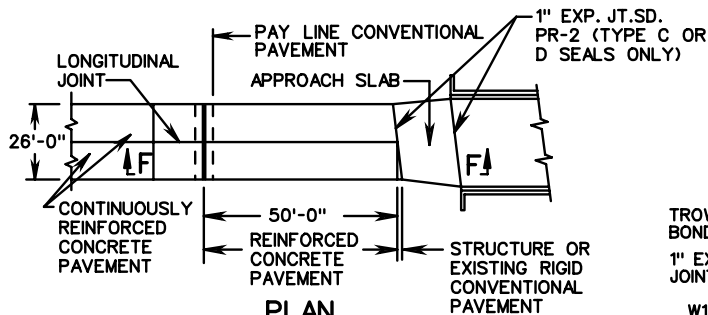
DETAIL-RAISED KEY CONSTRUCTION JOINT



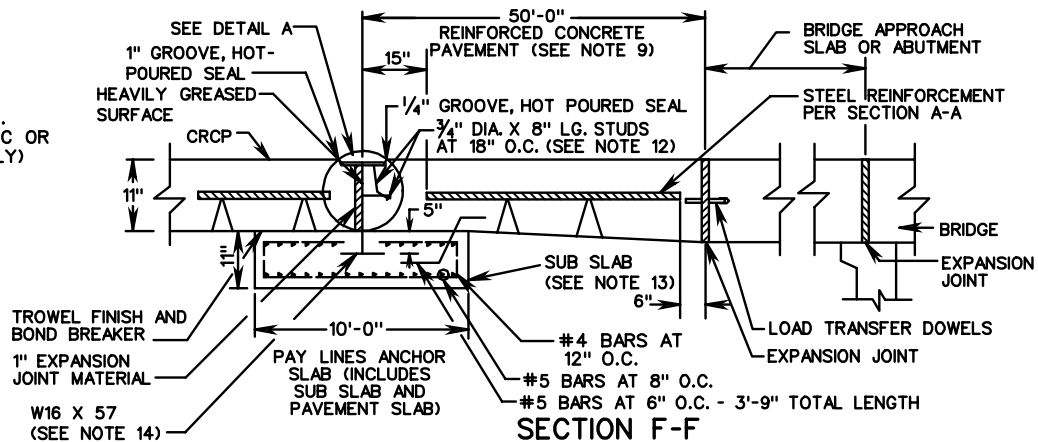
DETAIL A



ANCHOR SLAB TYPE II END PLATE DETAIL



PLAN ANCHOR SLAB TYPE II (SEE NOTE 11)



SECTION F-F ANCHOR SLAB TYPE II

11" THICK CONTINUOUSLY REINFORCED CONCRETE PAVEMENT  
14 FOOT TRAVEL LANE

VIRGINIA DEPARTMENT OF TRANSPORTATION

SPECIFICATION REFERENCE

316