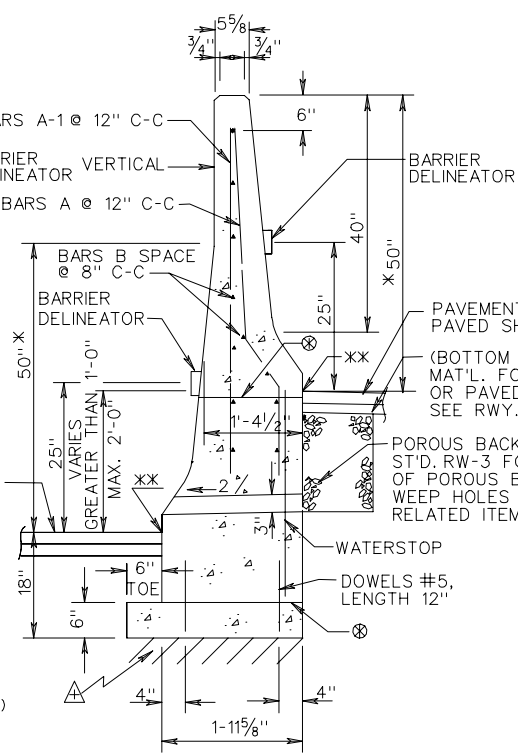


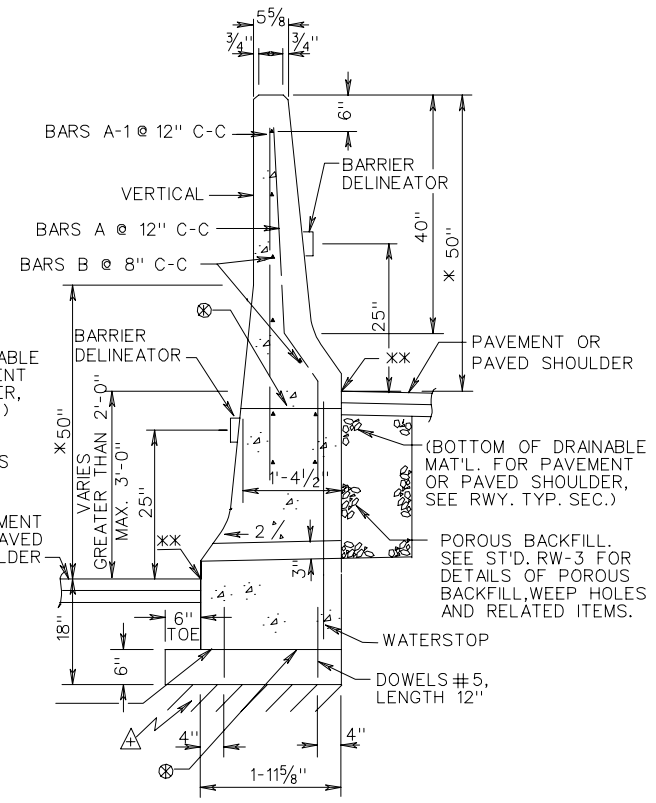
TYPE I

TYPE I (GREATER THAN 0 HT. DIFF., MAX. 1'-0")



TYPE II

TYPE II (GREATER THAN 1'-0" HT. DIFF., MAX. 2'-0")



TYPE III

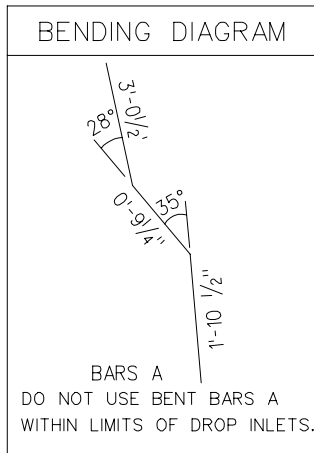
TYPE III (GREATER THAN 2'-0" HT. DIFF., MAX. 3'-0")

* FOR DETAILS OF BARRIER FACE SEE STANDARD MB-12A.

** DENOTES FINISHED GRADE ELEVATION

△ FOUNDATION MATERIAL UNDER CONCRETE MEDIAN BARRIER IS TO BE COMPACTED.

⊗ PERMISSIBLE CONSTRUCTION JOINT TO BE BONDED IN STRICT ACCORDANCE WITH SEC. 404 OF THE CURRENT VDOT ROAD AND BRIDGE SPECIFICATIONS.



MEASUREMENT AND PAYMENT

MEDIAN BARRIER MB-13 TYPE I, II OR III WILL BE PAID FOR AT THE CONTRACT UNIT PRICE PER LIN. FOOT, WHICH SHALL BE FULL COMPENSATION FOR FURNISHING AND INSTALLING CLASS A3 CONC., REINFORCING STEEL, POROUS BACKFILL AND ALL TOOLS, LABOR, EQUIPMENT AND INCIDENTALS NECESSARY TO COMPLETE THE WORK. ANY ADDITIONAL EXCAVATION, BACKFILL WITH SUITABLE MATERIAL AND COMPACTION WORK NECESSARY FOR THE CONCRETE MEDIAN BARRIER INSTALLATION IS TO BE CONSIDERED INCIDENTAL IN THE PRICE BID FOR THE CONCRETE MEDIAN BARRIER.

REINFORCING STEEL SCHEDULE

PANEL	BARS "A"		BARS A-1		BARS "B"		DOWELS	
	NO.	LENGTH	NO.	LENGTH	NO.	LENGTH	NO.	LENGTH
TYPE I					2	19'-8"		
TYPE II	20	5'-10 1/4"	20	5'-6"	11	19'-8"	40	1'-0"
TYPE III	20	5'-10 1/4"	20	5'-6"	11	19'-8"	40	1'-0"