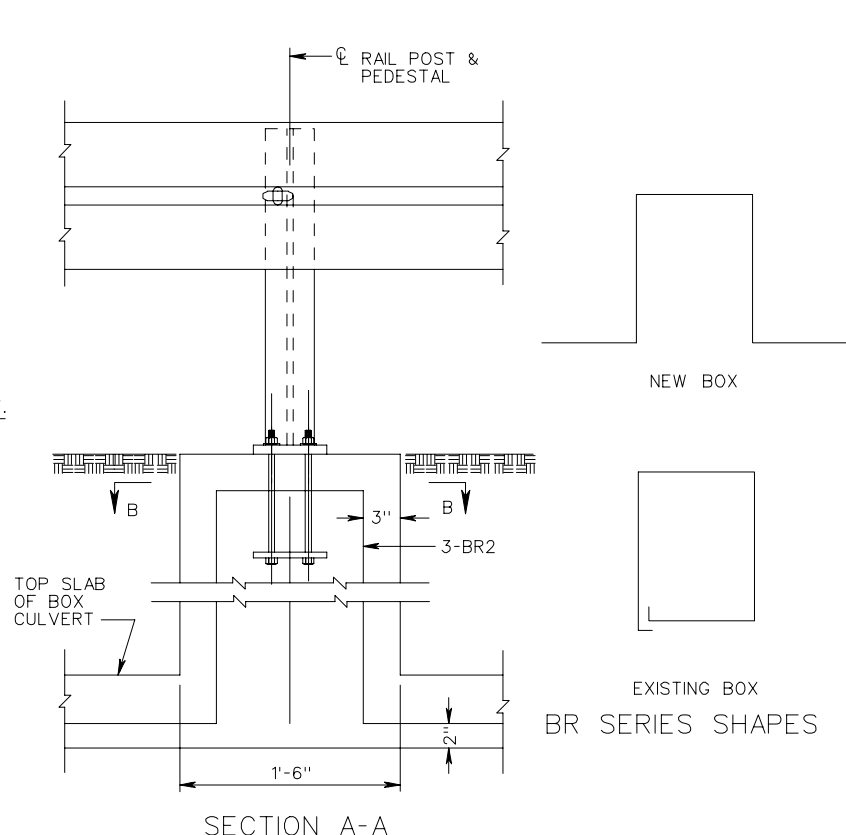
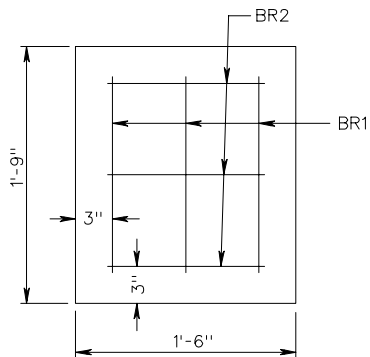


PART TRANSVERSE SECTION

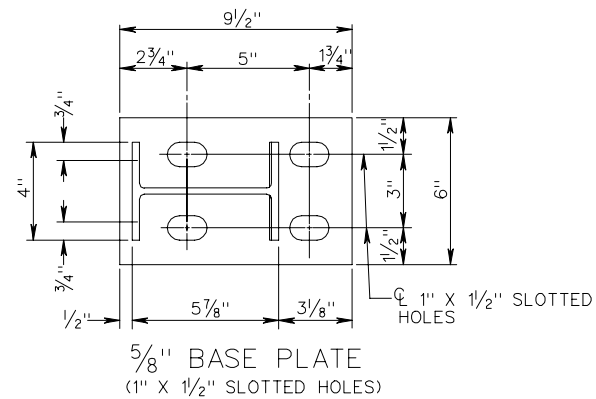
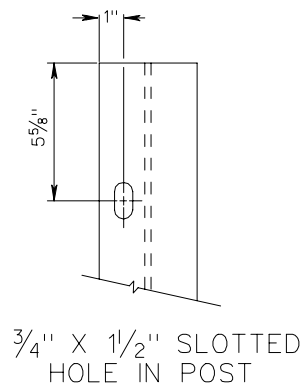


SECTION A-A



SECTION B-B

(ANCHOR BOLTS NOT SHOWN)



STANDARD BOX CULVERT GUARDRAIL
(TEXAS T-6)