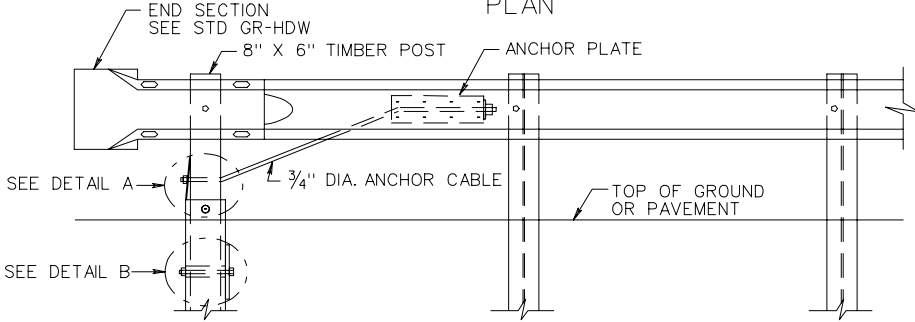
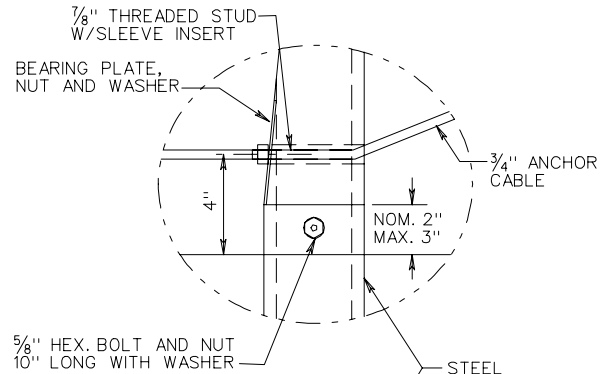


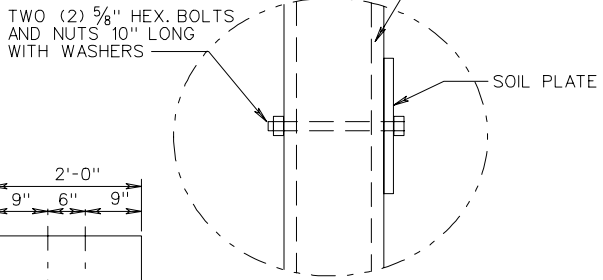
PLAN



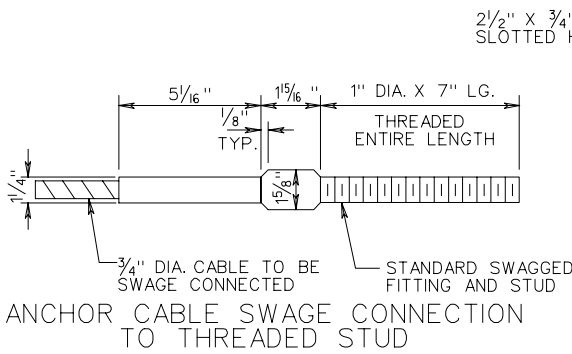
ELEVATION



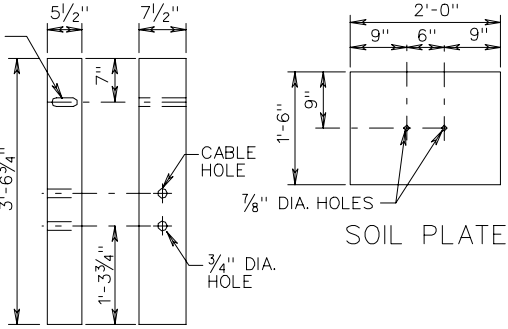
DETAIL A



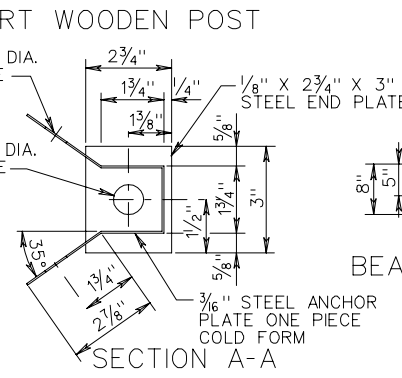
DETAIL B



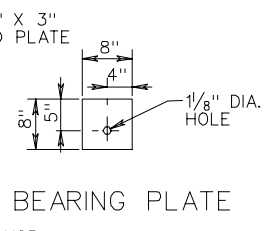
ANCHOR CABLE SWAGE CONNECTION TO THREADED STUD



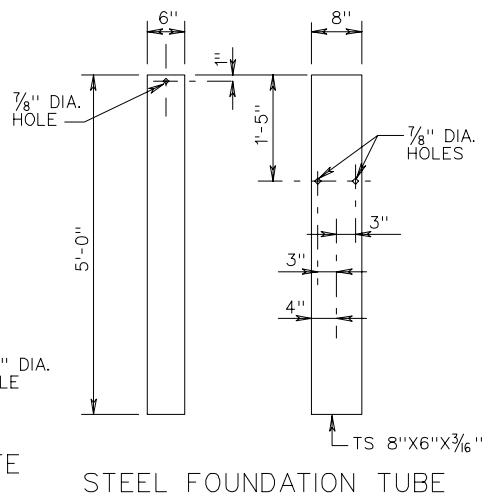
SOIL PLATE



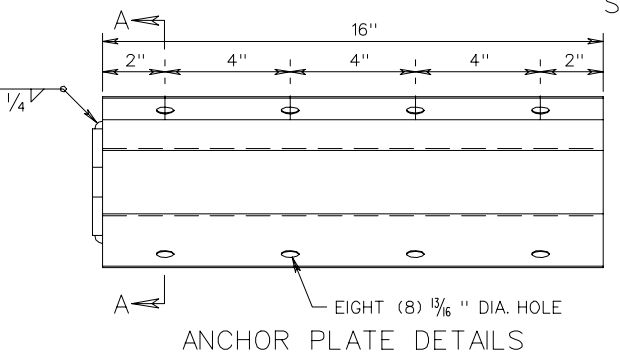
SHORT WOODEN POST



BEARING PLATE



STEEL FOUNDATION TUBE



ANCHOR PLATE DETAILS

NOTE:
USE OF THIS TERMINAL TREATMENT IS RESTRICTED TO RUN-OFF CONDITIONS ON DIVIDED HIGHWAYS.

TRAILING END TERMINAL TREATMENT