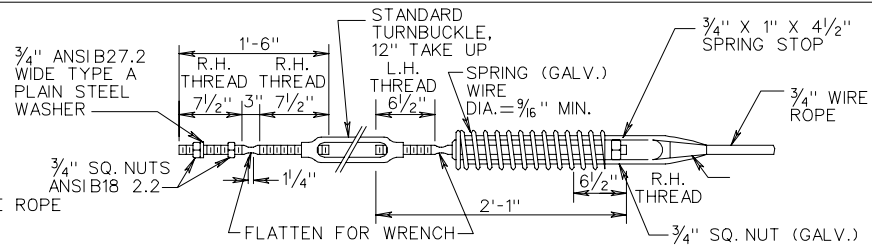
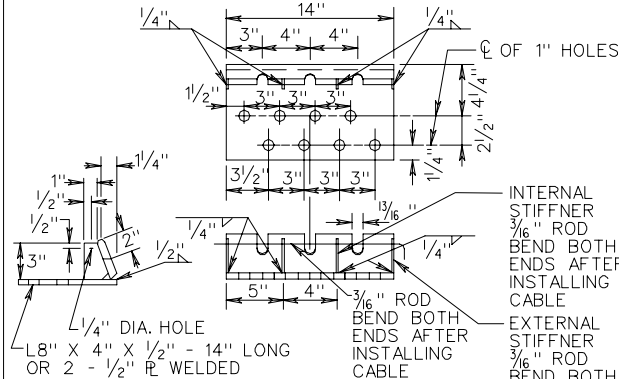


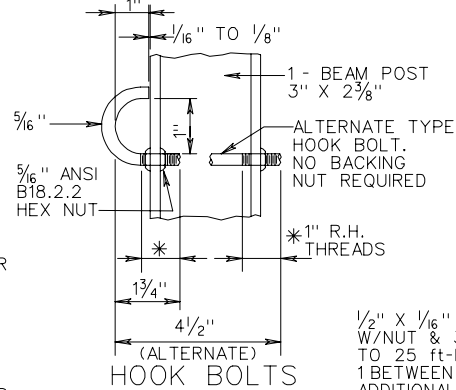
STEEL TURNBUCKLE CABLE END ASSEMBLY



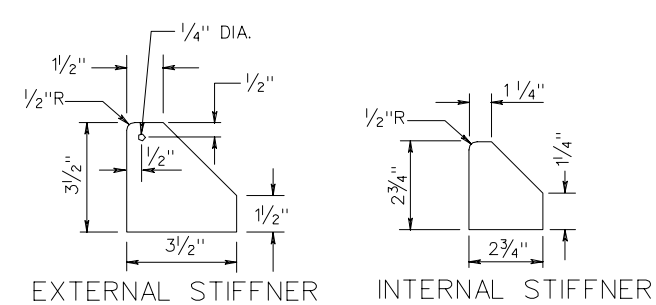
SPRING CABLE END ASSEMBLY (COMPENSATING DEVICE)



BREAKAWAY ANCHOR ANGLE

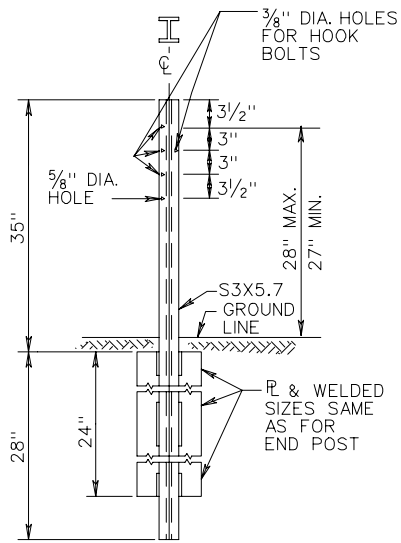


HOOK BOLTS

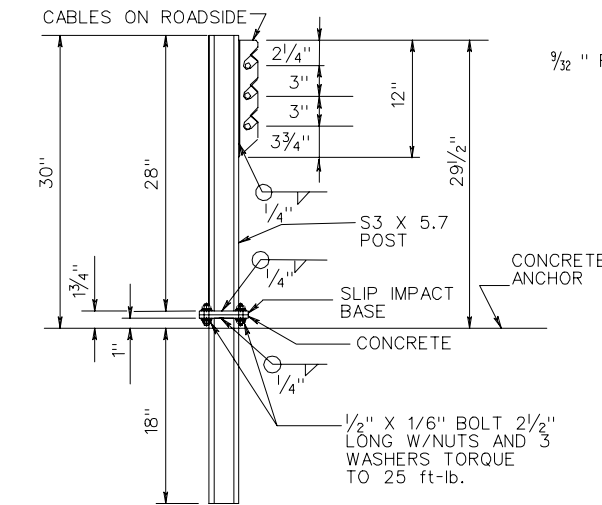


EXTERNAL STIFFNER

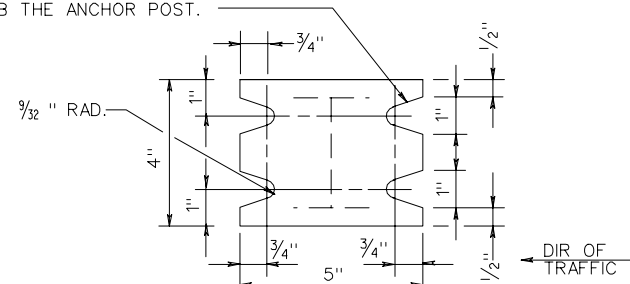
INTERNAL STIFFNER



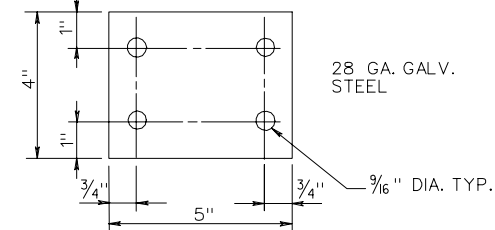
INTERMEDIATE POST DETAIL



ANCHOR POST DETAIL (SHOWN FOR LEFT HANDED ANCHOR)



SLIP IMPACT BASE (KEEPER PLATE NOT SHOWN)



KEEPER PLATE

CABLE GUARDRAIL

VIRGINIA DEPARTMENT OF TRANSPORTATION

SPECIFICATION REFERENCE

221  
505