

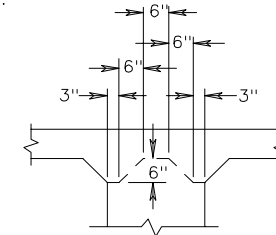
SECTION B-B
ANCHOR SLAB TYPE I
(FOR USE ADJACENT TO PLAIN CONCRETE PAVEMENT)

NOTES:

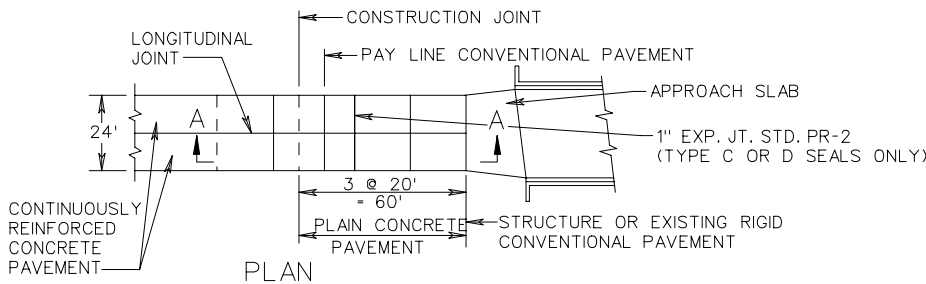
CONCRETE FOR LUG ANCHORS SHALL BE POURED AGAINST COMPACTED SUBGRADE. CONCRETE FOR LUGS AND ANCHOR SLAB MAY BE POURED MONOLITHICALLY OR POURED USING RAISED KEY CONSTRUCTION JOINT METHOD.

ADEQUATE CONSOLIDATION OF CONCRETE IN LUGS WILL BE OBTAINED WITHOUT DISPLACING LONGITUDINAL CONTINUOUS STEEL, BY THE USE OF INTERNAL VIBRATION.

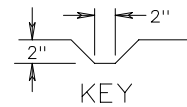
WHEN LESS THAN FULL WIDTH LUG AND PAVEMENT SLAB IS PLACED, THE # 5 TRANSVERSE STEEL IN THE LUGS SHALL BE EXTENDED, LAPPED AND SPLICED AT LEAST 25 DIAMETERS.



DETAIL-RAISED KEY CONSTRUCTION JOINT



WF BEAM (WEIGHT AND DIMENSIONS)					
CRCP THICKNESS	EMBEDMENT IN "SUB SLAB"	WF BEAM SIZE	FLANGE		WEB THICKNESS
			WIDTH	THICKNESS	
8"	6"	14 X 61	10"	5/8"	3/8"



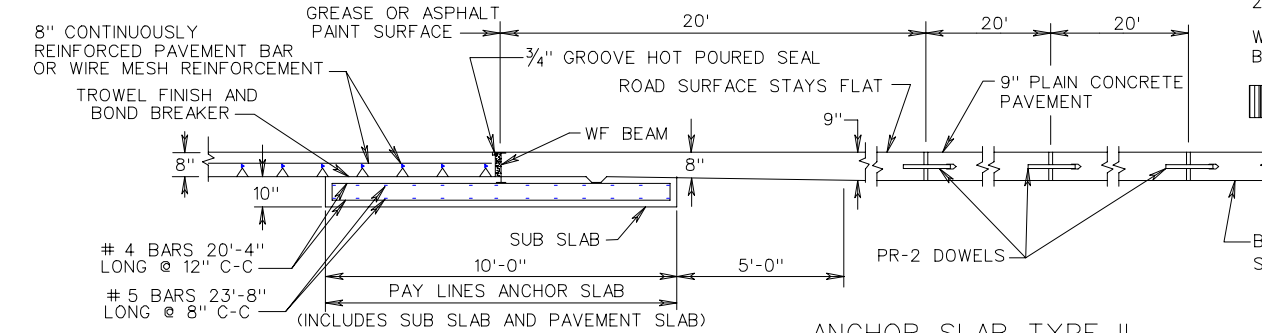
NOTES:

CONCRETE SHOULD BE ADEQUATELY VIBRATED UNDER BEAM FLANGE TO ELIMINATE HONEYCOMB.

2" MIN. CONCRETE COVER FOR STEEL IN SUB-SLAB.

WELDED 1/4" STEEL PLATE AT BOTH ENDS OF WF BEAM TO SEAL ENDS.

▨ DENOTES 1" EXPANSION JOINT MATERIAL POLYSTYRENE OR EQUIVALENT



SECTION A-A
ANCHOR SLAB TYPE II
(FOR USE ADJACENT TO PLAIN CONCRETE PAVEMENT)

8" THICK CONTINUOUSLY REINFORCED CONCRETE PAVEMENT
(FOR USE WITH BAR OR WIRE MESH REINFORCEMENT)