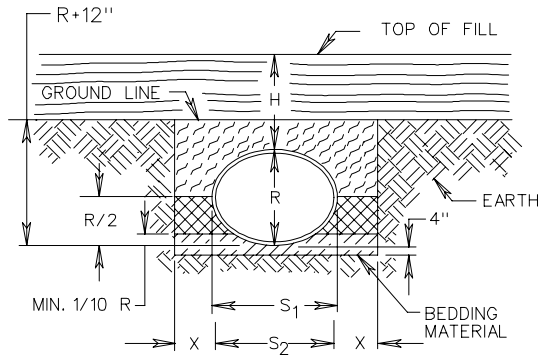
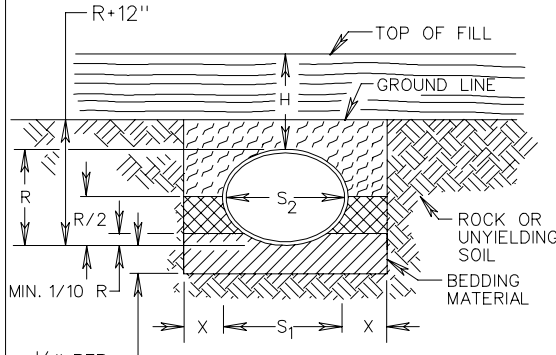


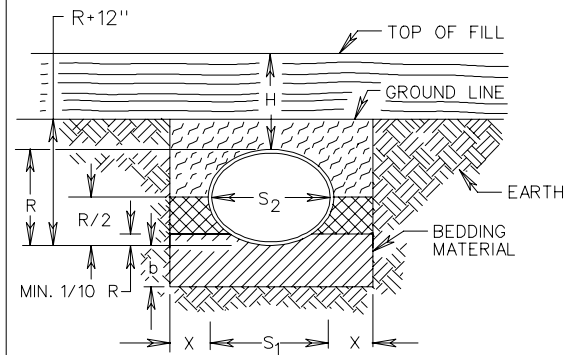
NO PROJECTION OF PIPE ABOVE GROUND LINE



NORMAL EARTH FOUNDATION

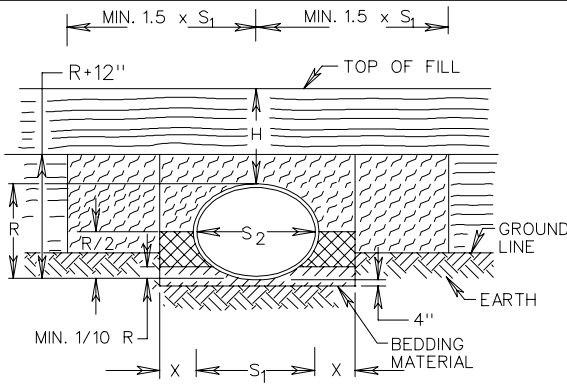


ROCK FOUNDATION

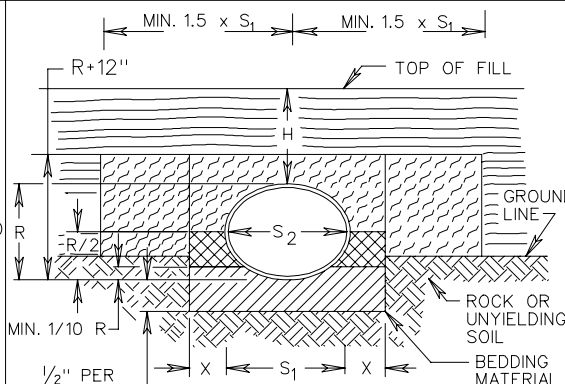


FOUNDATION SOFT, YIELDING, OR OTHERWISE UNSUITABLE MATERIAL

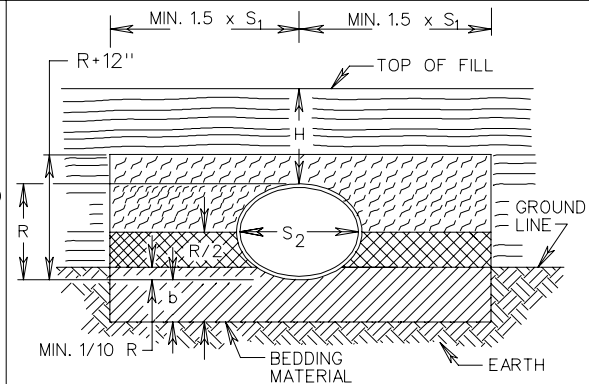
PIPE PROJECTION ABOVE GROUND LINE



NORMAL EARTH FOUNDATION



ROCK FOUNDATION



FOUNDATION SOFT, YIELDING, OR OTHERWISE UNSUITABLE MATERIAL

- BEDDING MATERIAL IN ACCORDANCE WITH SECTION 302 OF THE ROAD AND BRIDGE SPECIFICATIONS.
- CLASS I BACKFILL MATERIAL IN ACCORDANCE WITH SECTION 302 OF THE ROAD AND BRIDGE SPECIFICATIONS.

- REGULAR BACKFILL MATERIAL IN ACCORDANCE WITH SECTION 302 OF THE ROAD AND BRIDGE SPECIFICATIONS.
- EMBANKMENT

NOTE: FOR GENERAL NOTES ON PIPE BEDDING, SEE INSTALLATION OF PIPE CULVERTS AND STORM SEWERS GENERAL NOTES ON SHEET 107.00.

INSTALLATION OF PIPE CULVERTS AND STORM SEWERS  
ELLIPTICAL PIPE BEDDING AND BACKFILL - METHOD "A"

SPECIFICATION  
REFERENCE

302  
303