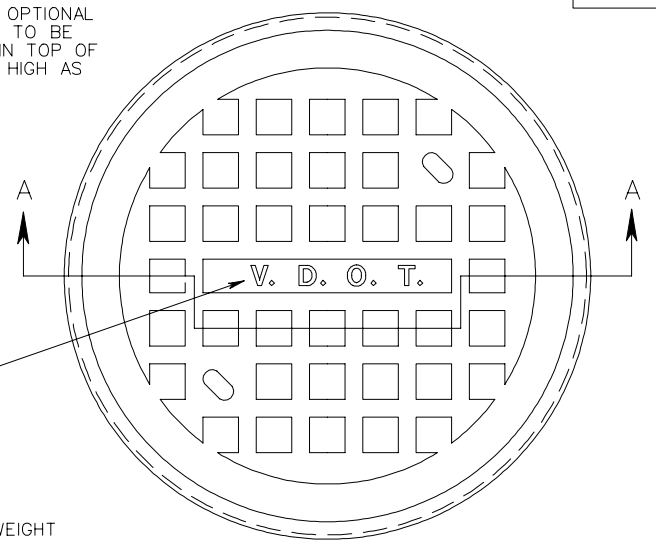


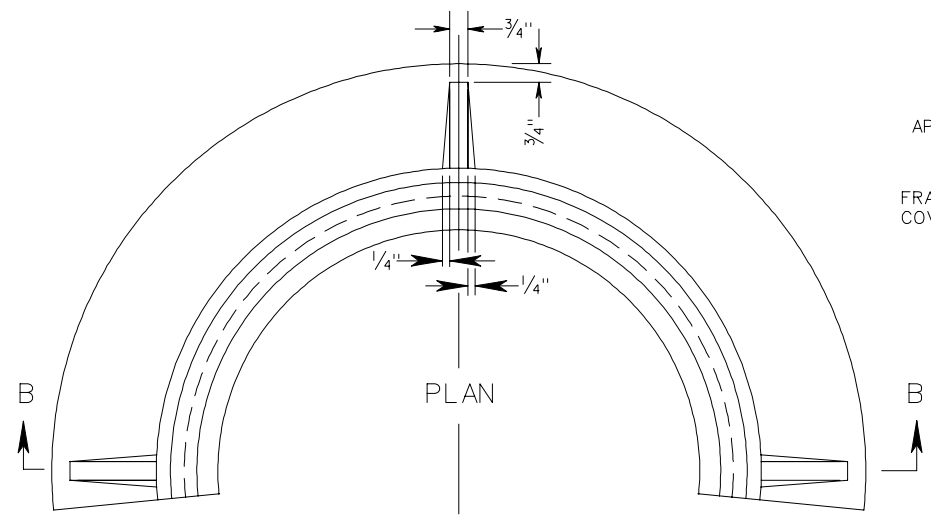
SECTION A-A

THE LETTERS V.D.O.T. ARE OPTIONAL IF USED THE LETTERS ARE TO BE CAST IN THE DEPRESSION IN TOP OF COVER 1\"/>

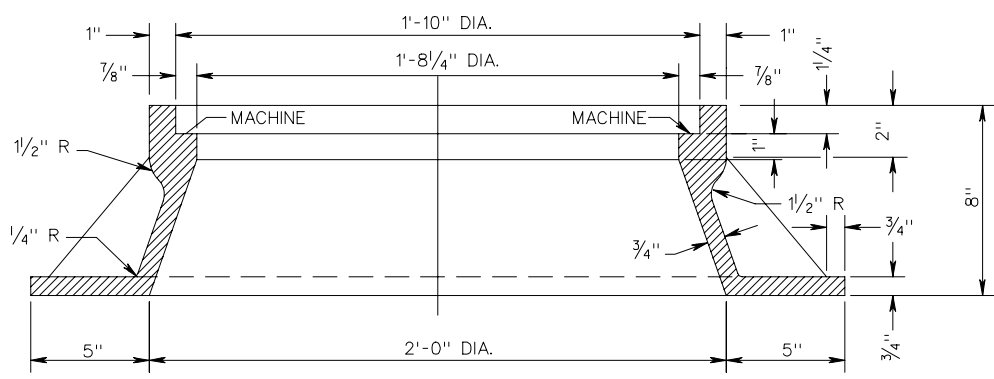


TOP

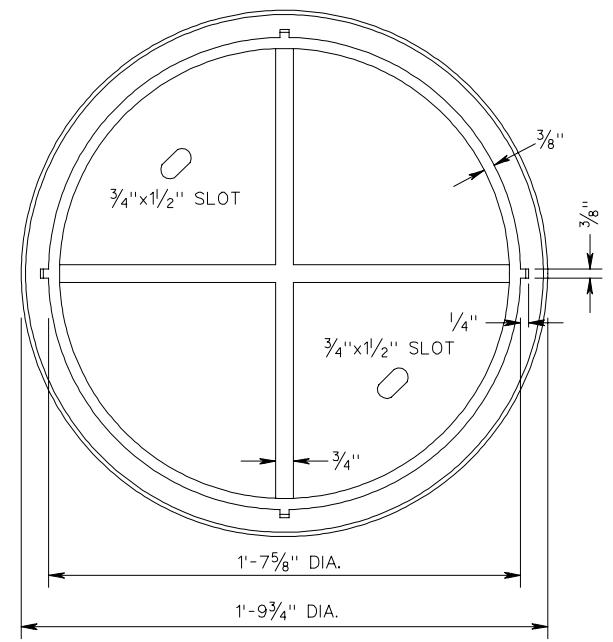
APPROXIMATE WEIGHT  
 CAST IRON  
 FRAME 239 ± 12 LBS.  
 COVER 137 ± 7 LBS.



PLAN



SECTION B-B



BOTTOM

SPECIFICATION REFERENCE	
224 302	

# STANDARD MANHOLE FRAME AND COVER

VIRGINIA DEPARTMENT OF TRANSPORTATION