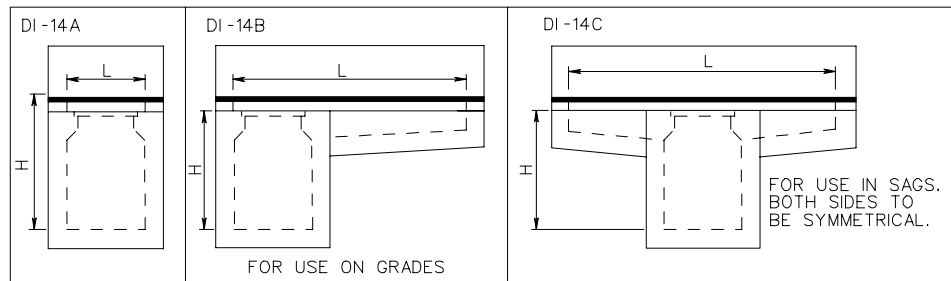
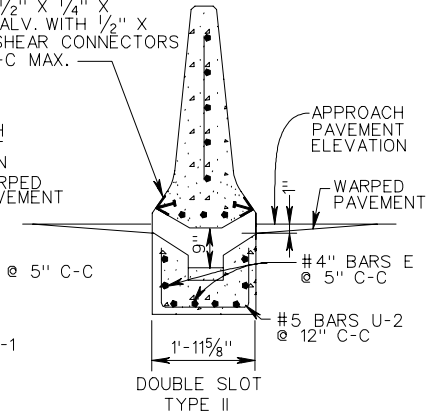
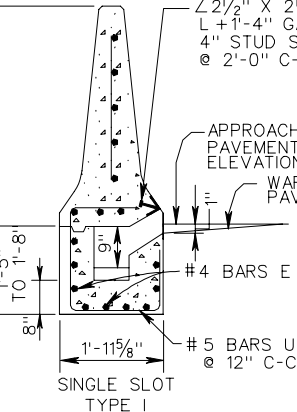
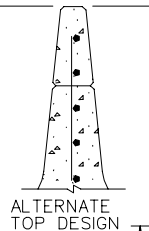
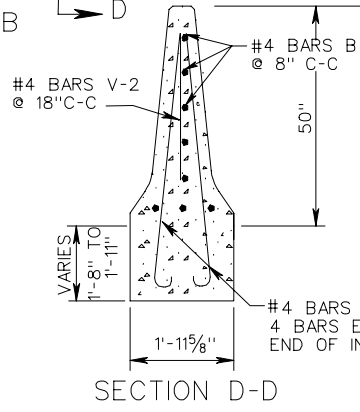
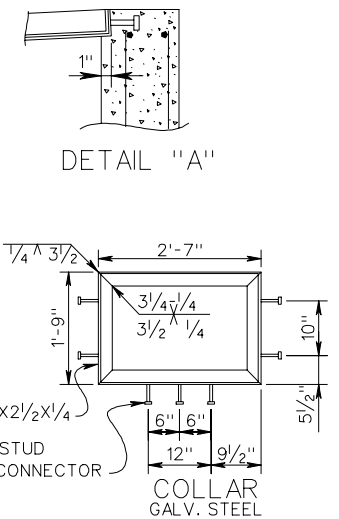
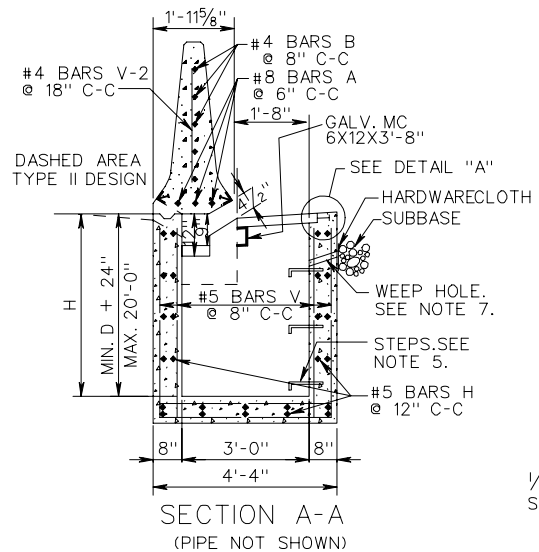


NOTE: FOR DIMENSIONS, QUANTITIES AND NOTES NOT SHOWN SEE SHEET 2 OF 2.



SHEET 1 OF 2

SPECIFICATION REFERENCE
233 302

CONCRETE MEDIAN BARRIER DROP INLET  
 12"-36" PIPE: DEPTH (H)=20'-0" MAX.