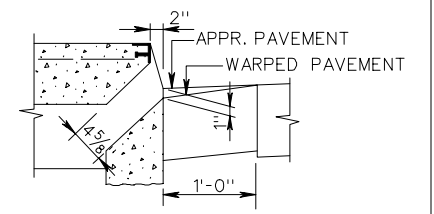
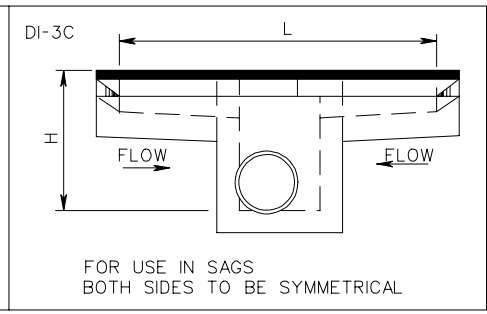
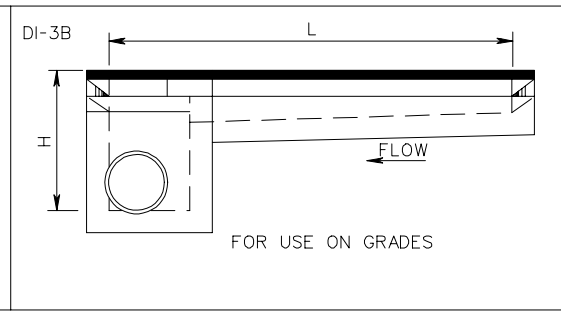
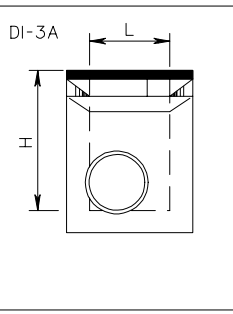


TYPE A NOSE DETAIL SHALL BE USED WITH CG-3 & CG-7 STANDARDS.
 TYPE B NOSE DETAIL SHALL BE USED WITH CG-2 STANDARDS.
 GALVANIZED PLATE FOR TYPE A TO BE BENT ON AN ANGLE OF 68° 30' CONNECTORS AND IS TO BE ANCHORED WITH 1/2" X 4" STUD SHEAR WELDED TO BENT PLATE AT 2' C-C.



DETAIL WHEN USED ADJACENT TO CURB WITHOUT GUTTER

STANDARD CURB DROP INLET
 12" - 30" PIPE: MAXIMUM DEPTH (H) = 8'

SPECIFICATION REFERENCE

233
 302