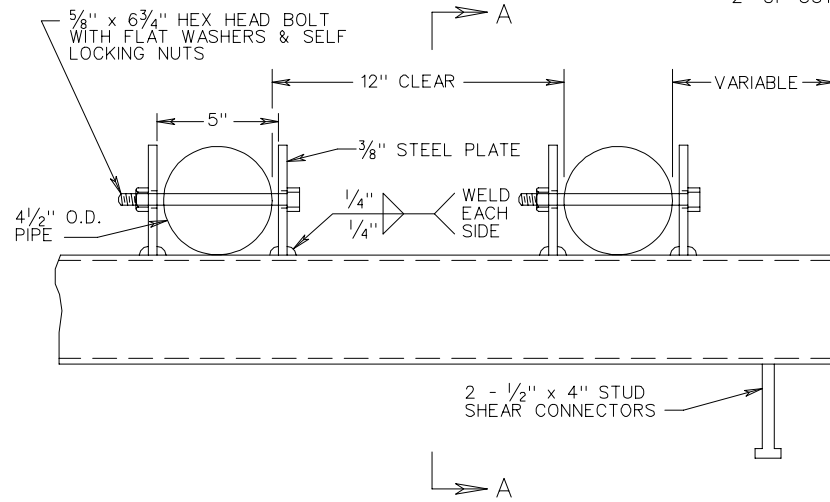
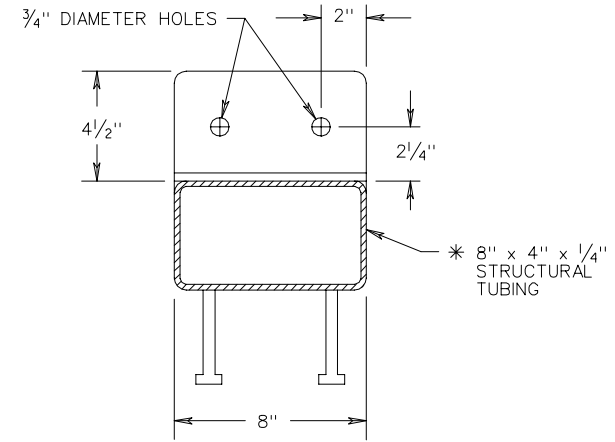


\* STRUCTURAL TUBING TO BE EXTENDED TO WITHIN 2" OF OUTSIDE FACE OF SIDEWALL

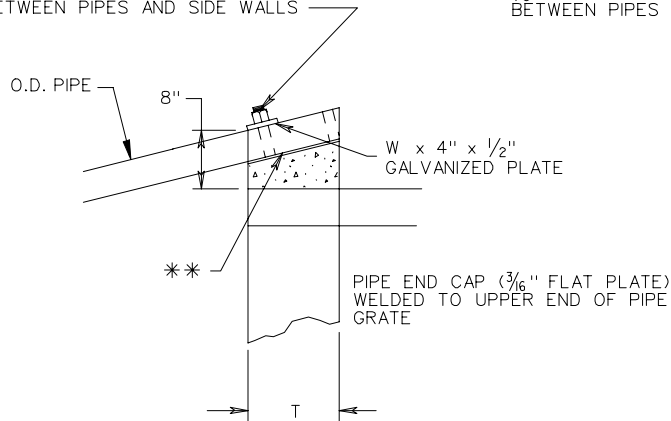


CENTER SUPPORT (ELEVATION)



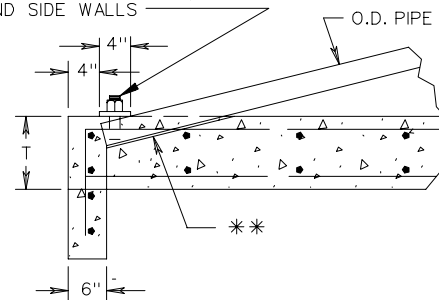
SECTION A-A

HOOK BOLTS 1/2" x 6" x (1/2" RIGHT ANGLE BEND) WITH FLAT WASHER & SELF LOCKING NUT. 5/8" HOLES TO BE PROVIDED IN PLATE, CENTERED BETWEEN PIPES AND SIDE WALLS



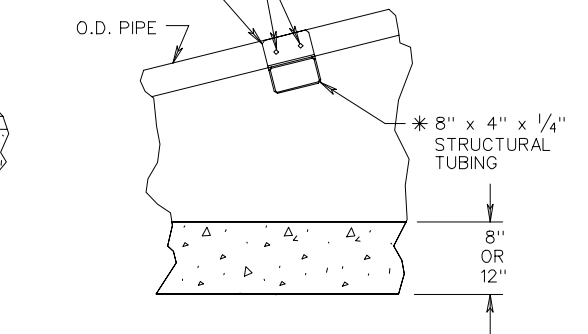
DETAIL B

HOOK BOLTS 1/2" x 6" x (1/2" RIGHT ANGLE BEND) WITH FLAT WASHER & SELF LOCKING NUT. 5/8" HOLES TO BE PROVIDED IN PLATE, CENTERED BETWEEN PIPES AND SIDE WALLS



DETAIL A

2 - 5/8" x 6 3/4" HEX HEAD BOLTS WITH FLAT WASHERS & SELF LOCKING NUTS



CENTER SUPPORT

\*\* NOTCHES FOR PIPE TO BE FORMED IN CONCRETE SO THAT PIPE WILL FIT SNUG BUT CAN BE REMOVED.

SPECIFICATION REFERENCE
105
233
302

PIPE ENDWALL WITH LOAD-CARRYING GRATE FOR 12"-60" PIPES

VIRGINIA DEPARTMENT OF TRANSPORTATION