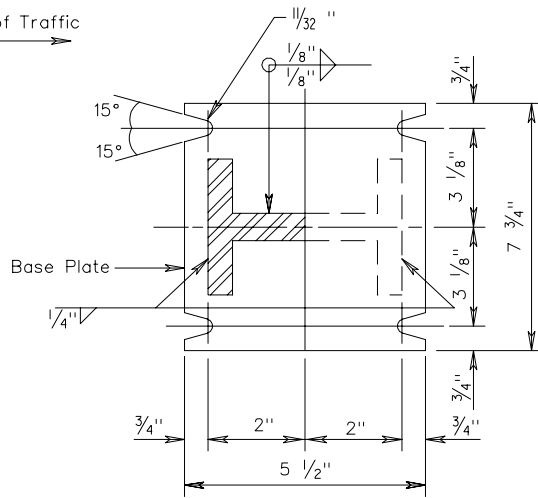


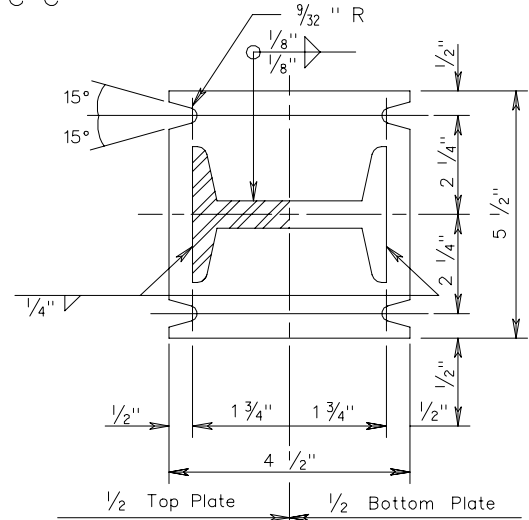
SECTION A-A

Direction of Traffic →



SECTION B-B

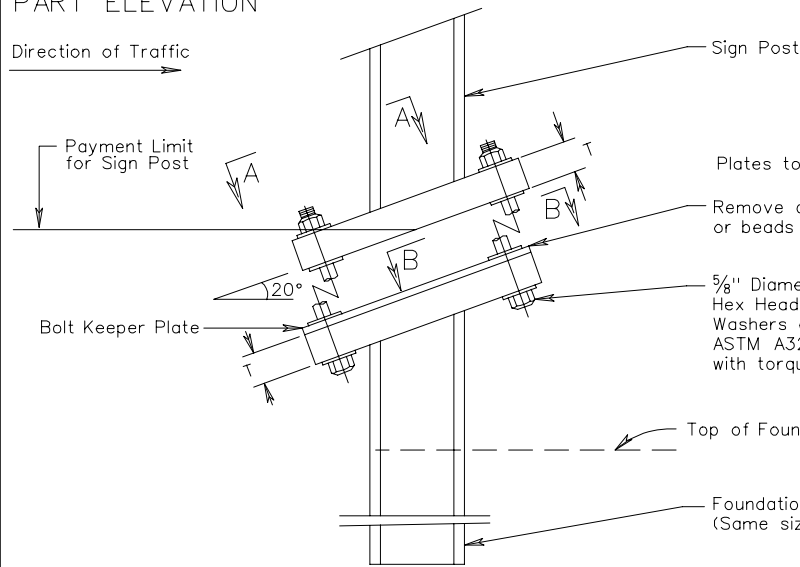
SECTION C-C



For Type VA-A, use 1/2" Diameter High Strength Bolts with Hex Head, Hex Nut and 3 Washers each Stainless Steel or ASTM A325. Bolts to be installed with a torque of 155 inch lbs. for typical assembly, see Project Plans.

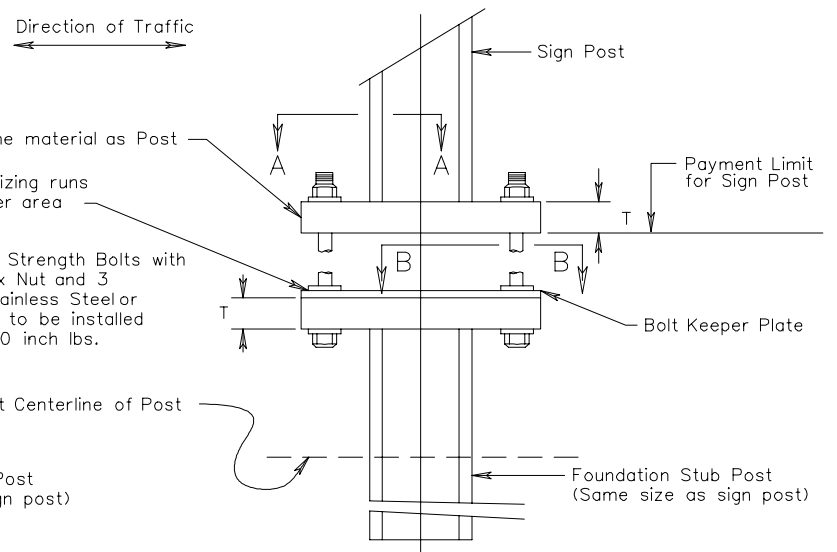
PART ELEVATION

Direction of Traffic →



PART ELEVATION FOR MEDIAN ONLY

Direction of Traffic ←



TYPICAL DETAILS FOR TYPE VA  
SIGN STRUCTURES

VIRGINIA DEPARTMENT OF TRANSPORTATION