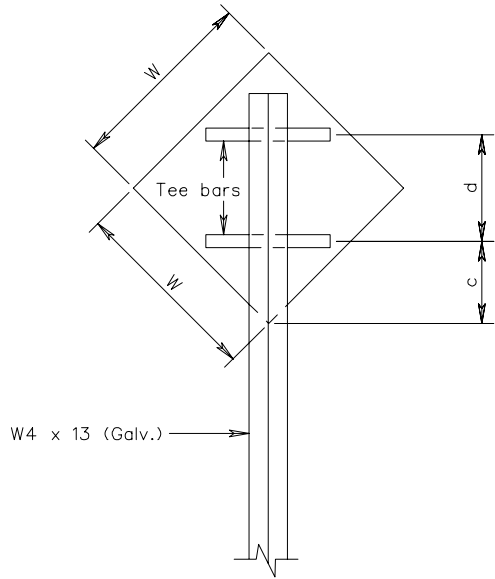
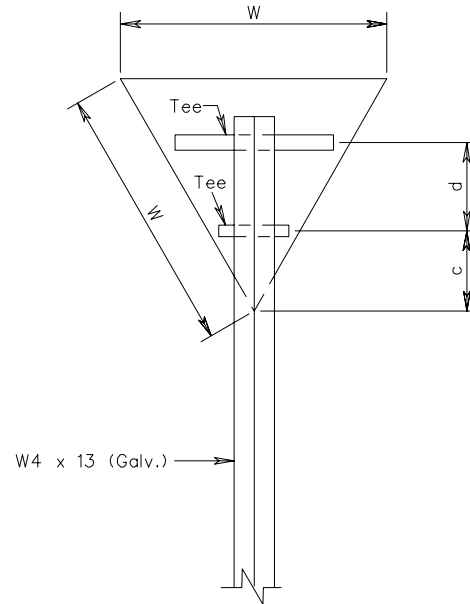


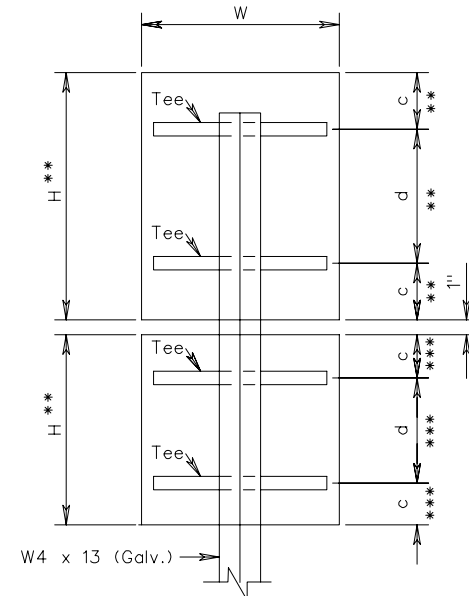
TYPE VA-F



TYPE VA-G



TYPE VA-K



SUPPORT DETAILS

STRUCTURE TYPE	SIGN PANEL DIMENSIONS				POST LENGTH DIMENSIONS		TEE 6061-T6 2.5 x 3.0 @ 1.175 lb/ft.		FOUNDATION DIMENSIONS		WELDED WIRE MESH		STEEL BASE PLATE
	W	H	c	d	Slope 3:1 to 2:1	Clamp	Number	Length	f	Diameter	Length	Sq. Ft.	T (Thickness)
VA-A	3'	3'	1'-3"	5/8"	12'-3"	-	-	-	3'-0"	1'-0"	2'-6"	5	1/2"
VA-B	4'	4'	1'-2"	1'-8"	12'-3"	4	2	3'-0"	4'-6"	1'-9"	4'-4"	20	1"
VA-C	4'	5'	1'-3"	2'-6"	13'-3"	4	2	3'-0"	4'-6"	1'-9"	4'-4"	20	1"
VA-D	5'	3'	0'-8"	1'-8"	12'-9"	4	2	4'-0"	4'-6"	1'-9"	4'-4"	20	1"
VA-E	6'	5'	1'-3"	2'-6"	13'-9"	4	2	5'-0"	4'-6"	1'-9"	4'-4"	20	1"
VA-F	4'	-	1'-8"	2'-4"	13'-9"	4	2	2'-10"	4'-6"	1'-9"	4'-4"	20	1"
VA-G	5'	-	1'-8"	-	13'-0"	4	1 each	2'-10" & 1'-4"	4'-6"	1'-9"	4'-4"	20	1"
VA-K	4'	5'	1'-3"***	2'-6"***	17'-3"	4	2	3'-0"	4'-6"	1'-9"	4'-4"	20	1"
VA-K	4'	4'	1'-2"***	1'-8"***	-	4	2	3'-0"	-	-	-	-	-
VA-L	6'	6'	1'-6"	3'-0"	14'-6"	4	2	5'-0"	4'-6"	1'-9"	4'-4"	20	1"
VA-M	5'	5'	1'-3"	2'-6"	13'-9"	4	2	4'-0"	4'-6"	1'-9"	4'-4"	20	1"
VA-A2	6'	3'	1'-3"	5/8"	13'-9"	-	4	5'-0"	4'-6"	1'-9"	4'-4"	20	1"

* All post lengths shall be field checked by contractor prior to fabrication.

TYPICAL DETAILS FOR TYPE VA
SIGN STRUCTURES

VIRGINIA DEPARTMENT OF TRANSPORTATION