

Notes:

This standard is applicable for all electrical services other than 480Y/277.

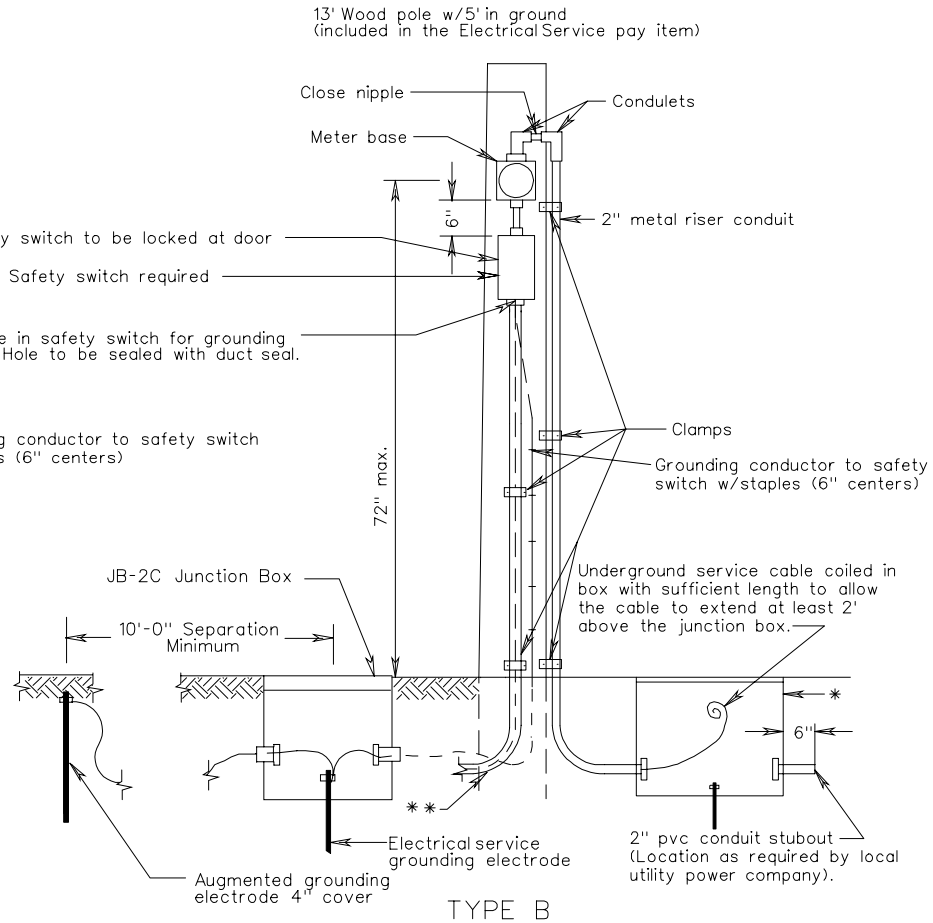
No other conductors shall be run in the same conduit with electrical service cable.

When 200 amp or greater service is required, service shall enter meter base at right bottom.

For underground service installations, local power utility company will install service power utility cable from their power source to the junction box and make required splices to the service cable coiled in the junction box.

\* JB-1A, 1B or 1C junction box Top of junction box shall read "UTILITY"

\*\* Conductor cables and Conduit as specified on plans.



ELECTRICAL SERVICE DETAILS  
SIGN AND LIGHTING INSTALLATION

VIRGINIA DEPARTMENT OF TRANSPORTATION