

Minimum 15' clearance from highest point of the pavement surface to lowest point of signal head assembly including backplate.

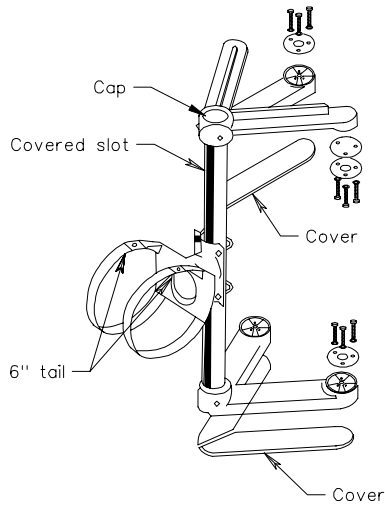
### POLE AND HANGER ASSEMBLY HARDWARE REQUIREMENTS

IF POLE IS	HARDWARE SHALL BE
Galvanized steel	Aluminum or galvanized iron
Steel painted aluminum	Aluminum, galvanized iron or iron painted aluminum
Steel painted other than aluminum	Aluminum or iron painted to match pole

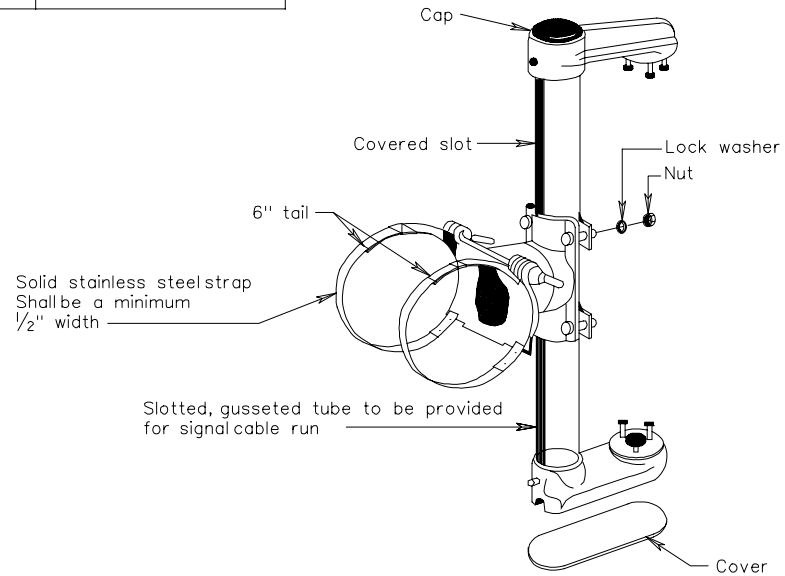
### Notes:

Signalhead cables shall be continuous from the controller to the nearest signalhead to which it applies except cable terminations may be allowed on the pole terminal strip when required by the plans. The cable shall also be continuous from the first signalhead to any additional heads with termination on the terminals within the signalhead housing.

All bolts, nuts and washers shall be stainless steel.



5 SECTION CLUSTER MOUNTING DETAIL



RIGID MAST ARM MOUNTING DETAILS

## SIGNAL HEAD MOUNTING DETAILS MAST ARM