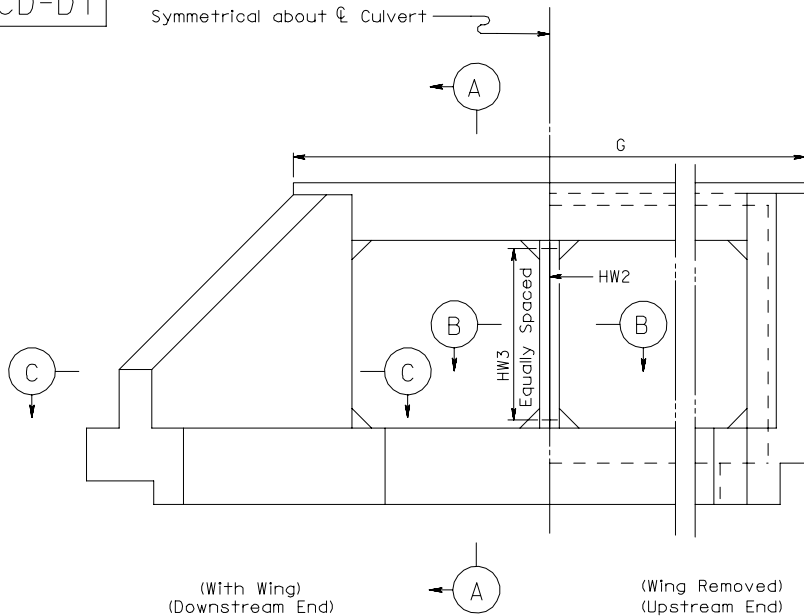


Symmetrical about  $\text{\textcircled{C}}$  Culvert



END ELEVATION

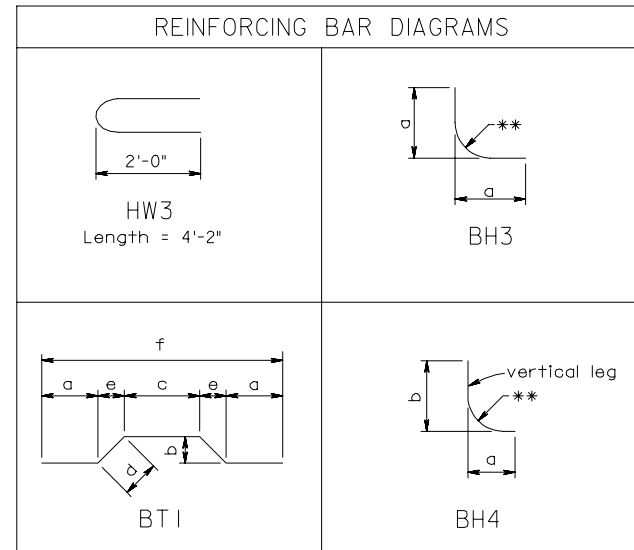
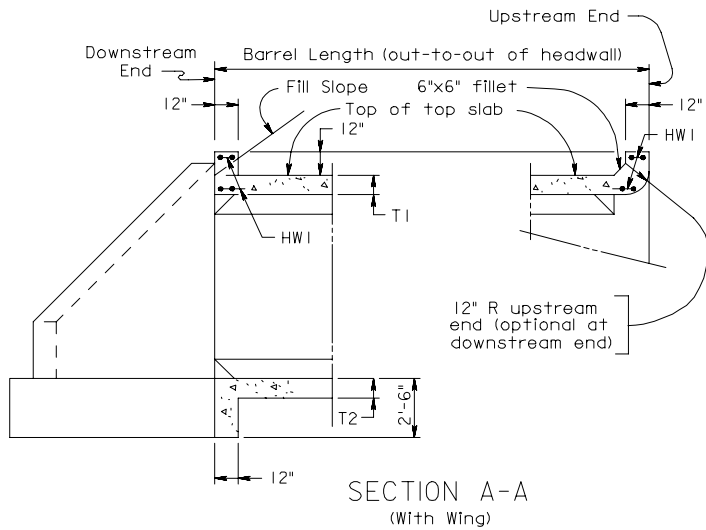
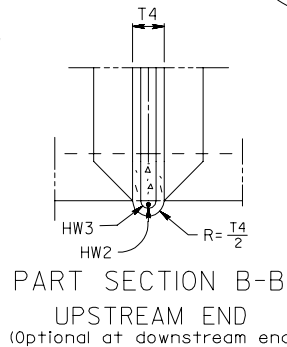


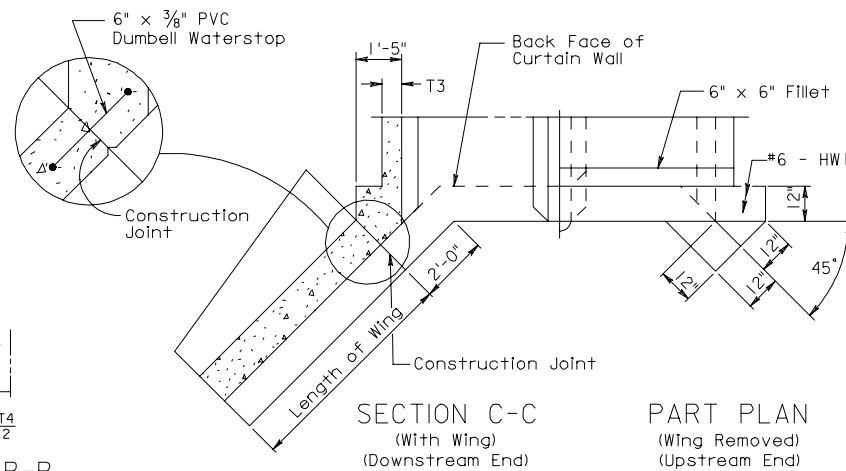
TABLE A	
Bar Size	Pin Dia.
#3	2 1/4"
#4	3"
#5	3 3/4"
#6	4 1/2"
#7	5 1/4"
#8	6"
#9	9"



SECTION A-A  
(With Wing)



PART SECTION B-B  
UPSTREAM END  
(Optional at downstream end)



SECTION C-C  
(With Wing)  
(Downstream End)

PART PLAN  
(Wing Removed)  
(Upstream End)