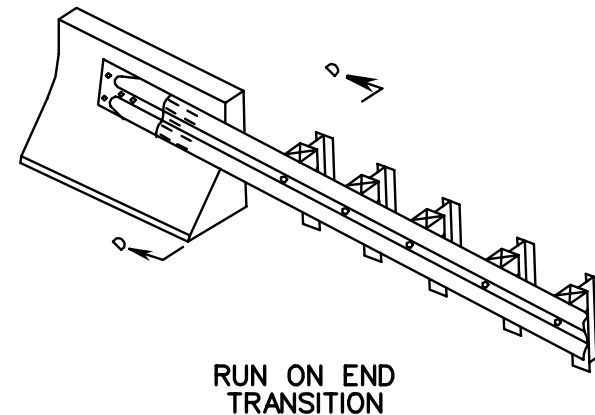
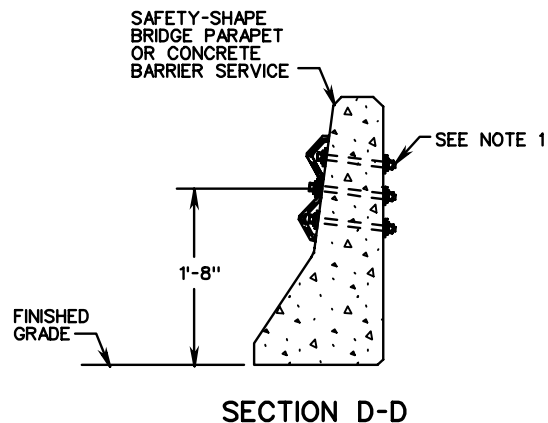


1. HOLES, WHERE SHOWN, SHALL BE FORMED WITH SLEEVES OF 1/2" DIAMETER NOMINAL PIPE.
2. BOLT LENGTHS ARE TO BE ESTABLISHED BY THE CONTRACTOR AND APPROVED BY THE ENGINEER. ALL BOLTS ARE TO BE 3/8" DIA. HEX HEAD MACHINE BOLTS WITH BEVELED WASHERS AND SELF-LOCKING NUTS.
3. FOR TWO-WAY TRAFFIC DESIGN, USE RUN-ON END TRANSITION (TYPE D).
4. RUN OFF (TYPE II) GUARDRAIL TO BE USED ONLY WHEN REQUIRED FOR OTHER REASONS.
5. COST OF TRANSITION TO BE INCLUDED IN PRICE BID PER FOOT OF TRAFFIC BARRIER SERVICE CONCRETE.
6. THESE INSTRUCTIONS APPLICABLE FOR TEMPORARY INSTALLATION IN CONSTRUCTION ZONES ONLY. REFER TO STANDARD GR-FOA FOR INSTRUCTIONS ON PERMANENT INSTALLATION.



SPECIFICATION REFERENCE

505

W BEAM GUARDRAIL INSTALLATION CRITERIA FIXED OBJECT ATTACHMENT METHODS FOR CONSTRUCTION ZONES

VIRGINIA DEPARTMENT OF TRANSPORTATION

501.64