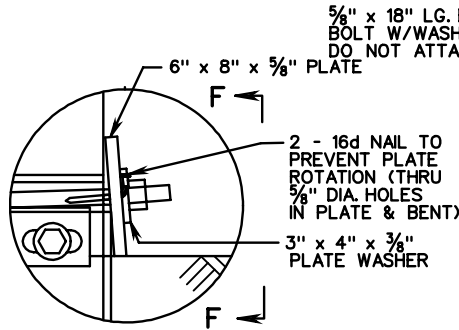
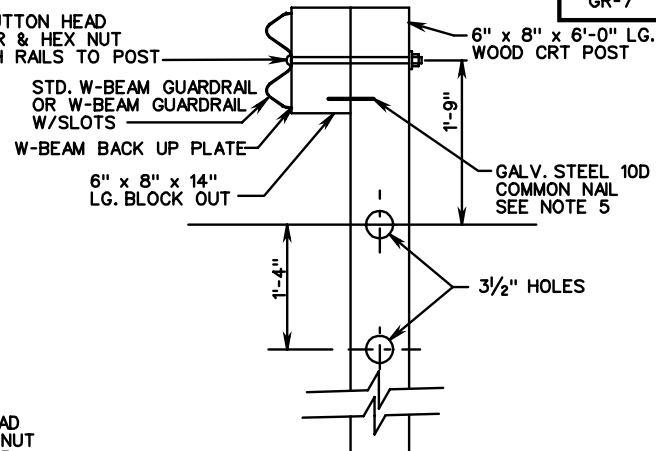


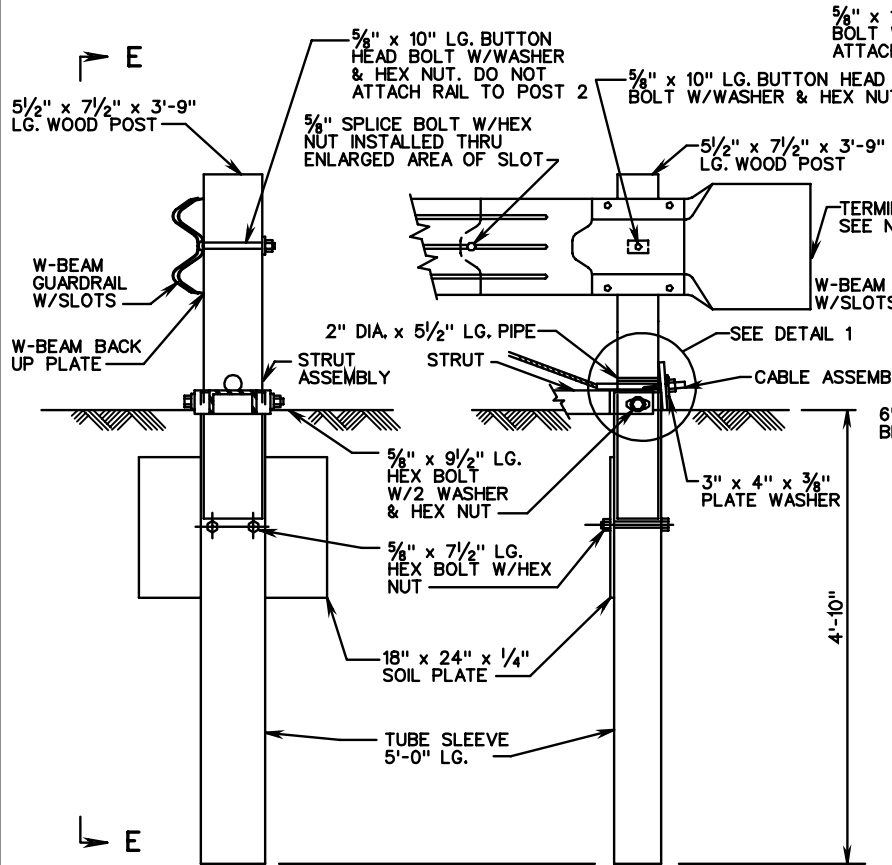
SECTION F - F



DETAIL 1

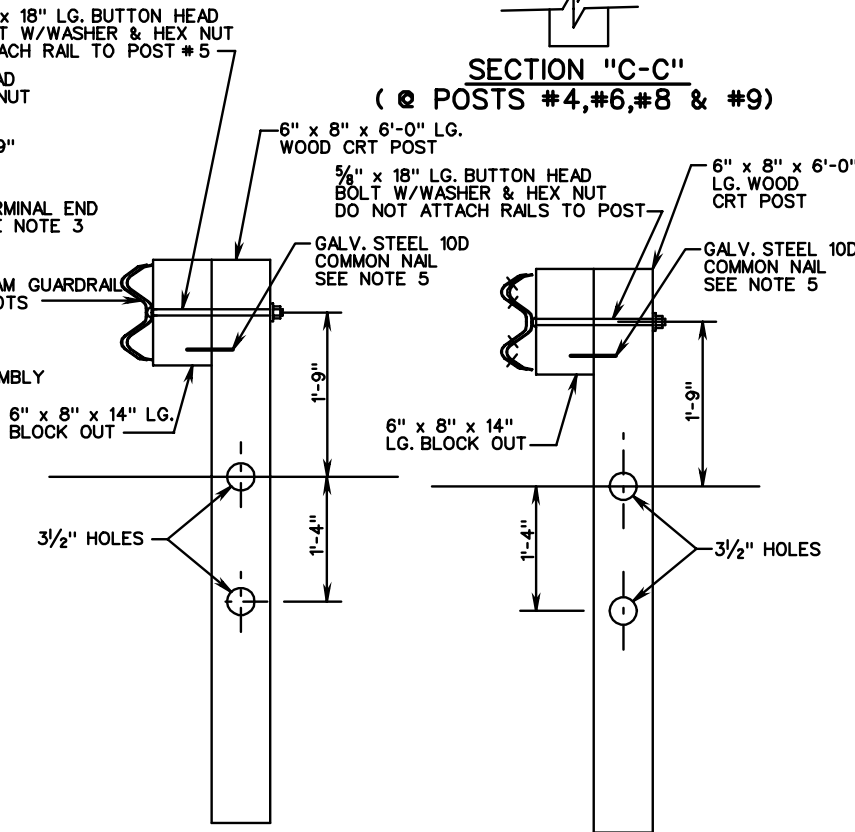


SECTION "C-C"
(@ POSTS #4, #6, #8 & #9)



SECTION "A-A"

SECTION E - E



SECTION "D-D"
(@ POST #5)

SECTION "B-B"
(@ POSTS #3 & #7)

SPECIFICATION REFERENCE
221 505

BREAKAWAY CABLE TERMINAL 4' FLARE

VIRGINIA DEPARTMENT OF TRANSPORTATION