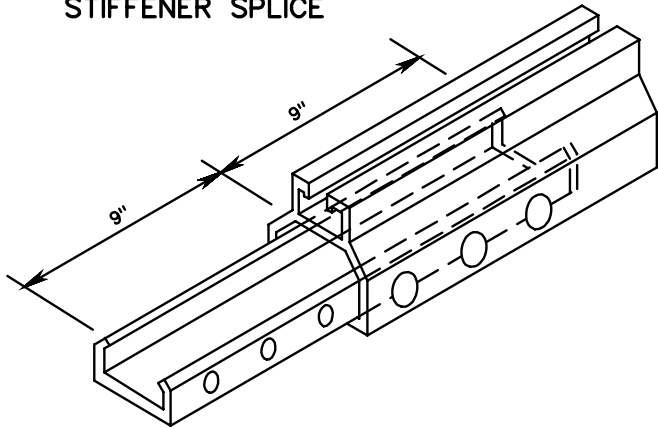
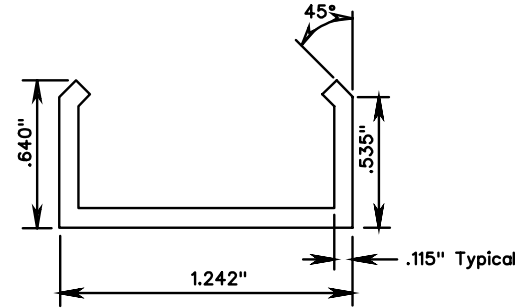


LARGE  
STIFFENER SPLICE



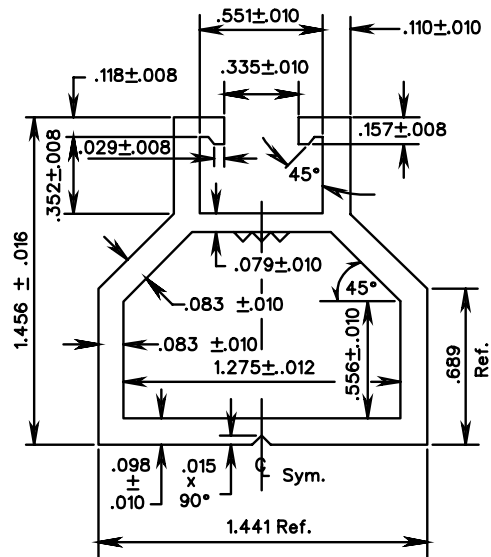
LARGE  
STIFFENER SPLICE BAR



The maximum number of splices in a stiffener shall be one per stiffener location.

Splices shall not be in a vertical alignment but shall be offset 12" from each other.

LARGE STIFFENER  
DETAIL



ALTERNATE SIGN PANEL DESIGN

VIRGINIA DEPARTMENT OF TRANSPORTATION