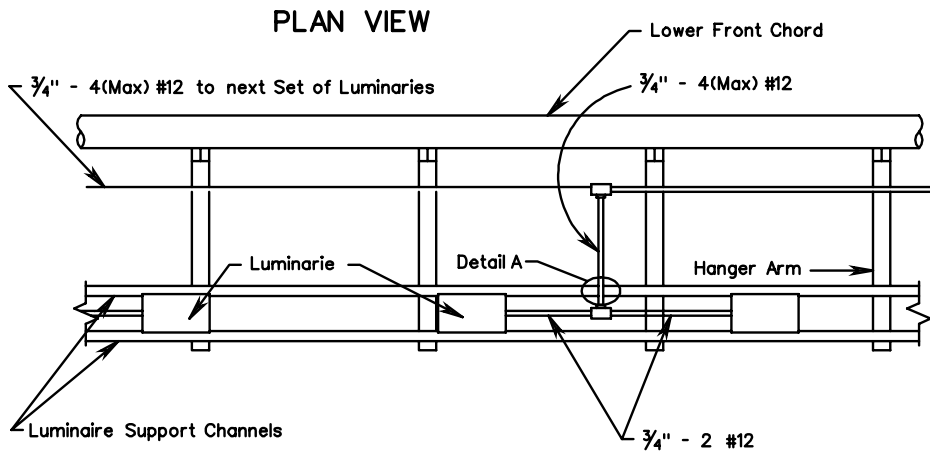
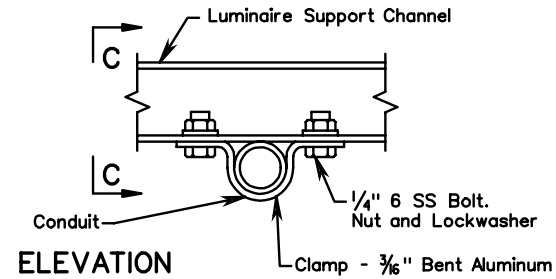


ELECTRICAL INSTALLATION DOUBLE POLE END FRAMES

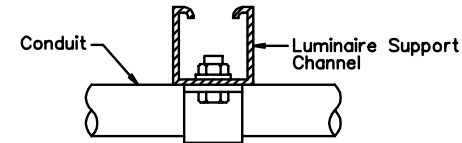


Walkway Grating, if required, is not shown.
Installation for Single Pole Supports to be similar.

DETAIL A

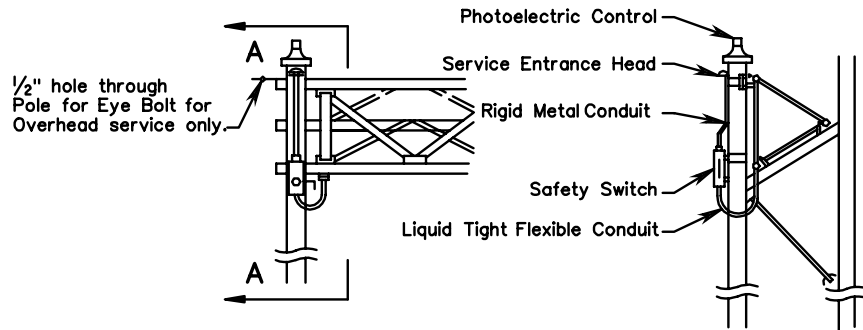


SECTION A-A



ELECTRIC DETAILS FOR SIGN LIGHTING SPAN SIGN STRUCTURE

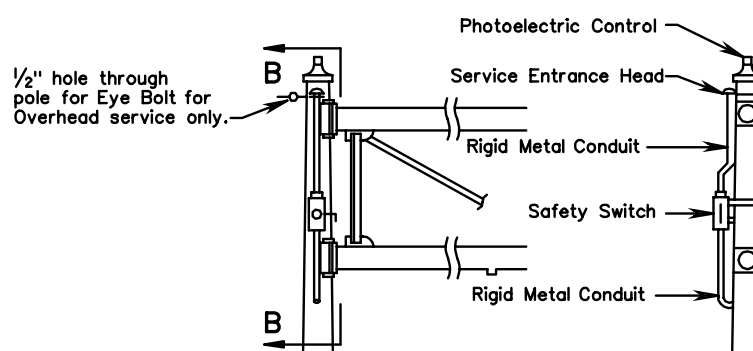
FRONT VIEW



SECTION A-A

ELECTRIC DETAILS FOR SIGN LIGHTING CANTILEVER SIGN STRUCTURE

FRONT VIEW



SECTION B-B

Note:

All conduit located in or on cantilever structure shall be $\frac{3}{4}$ " minimum.

TYPICAL DETAILS FOR OVERHEAD SIGN STRUCTURES

VIRGINIA DEPARTMENT OF TRANSPORTATION