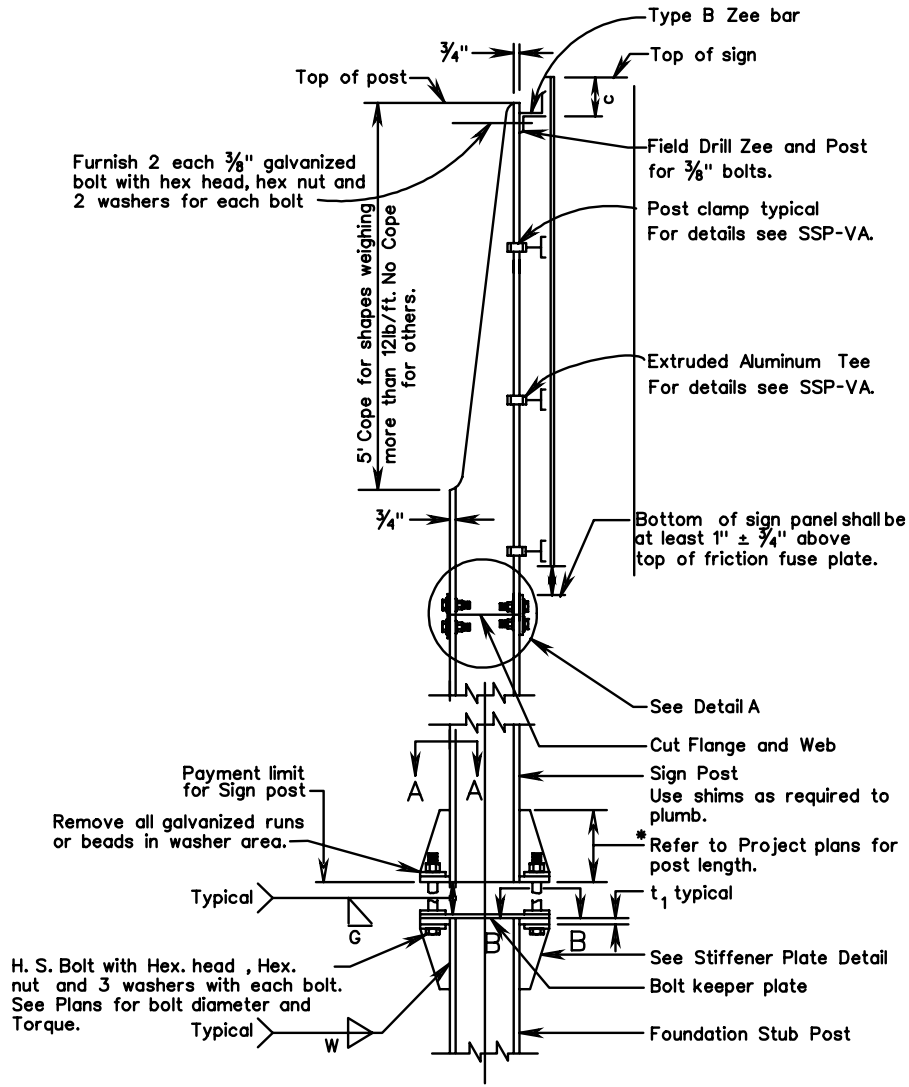


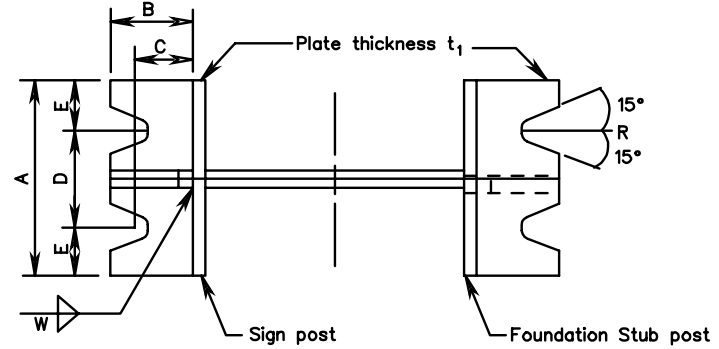
SIGN POST AND FOUNDATION STUB POST ELEVATION



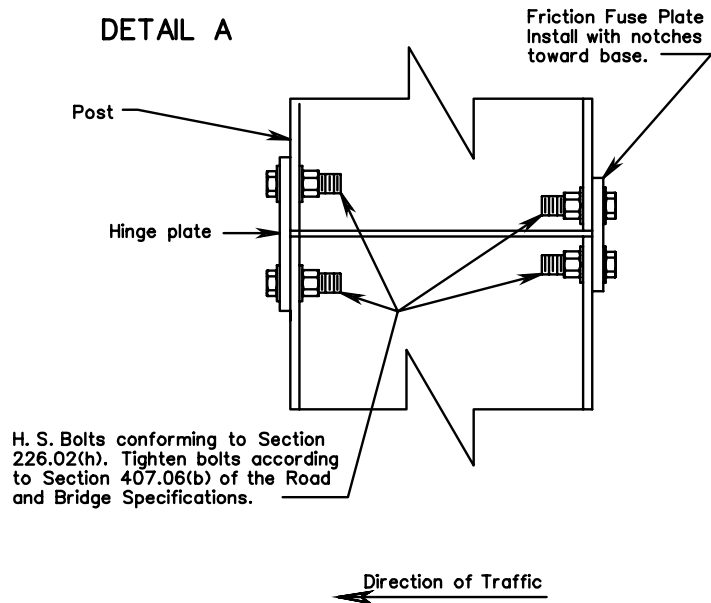
* Post lengths shown on plans are typical for a 2:1 slope. All post lengths shall be field checked by contractor prior to fabrication.

SECTION A-A

SECTION B-B



DETAIL A



TYPICAL DETAILS FOR TYPE VIA INTERSTATE SIGN STRUCTURES