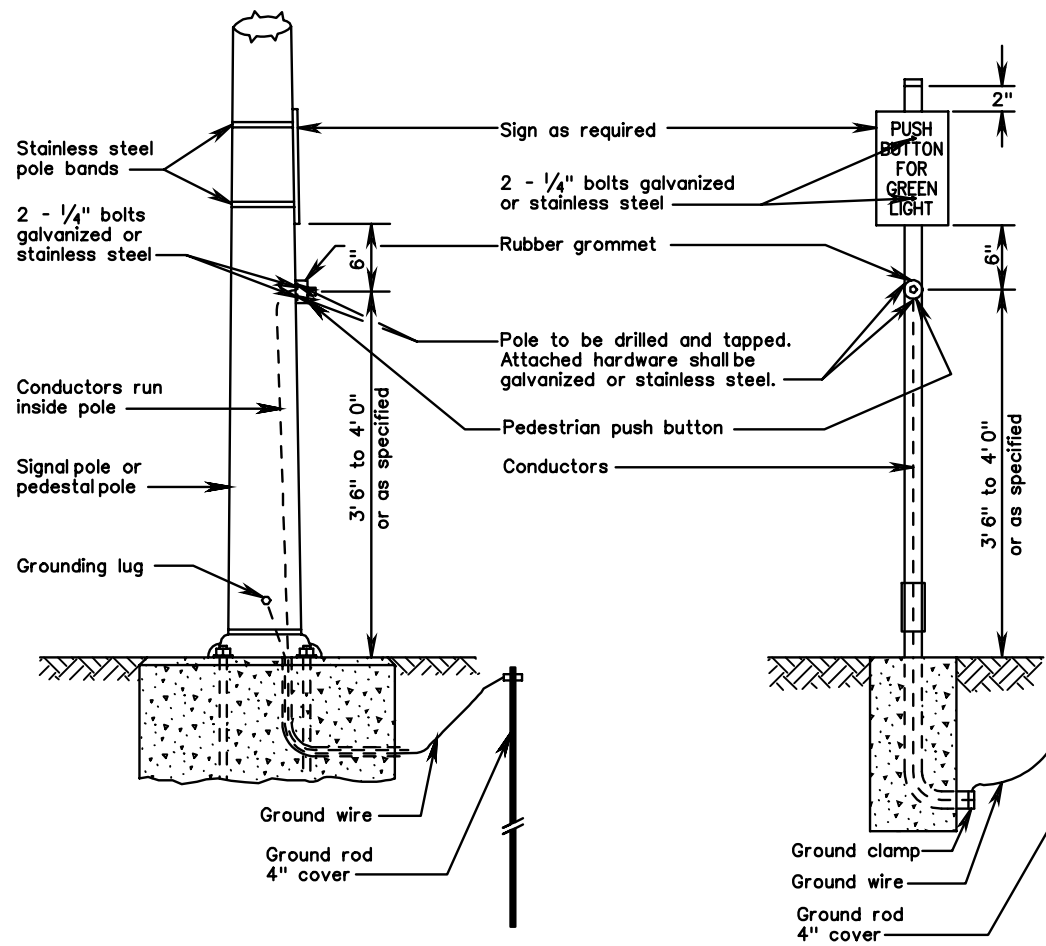
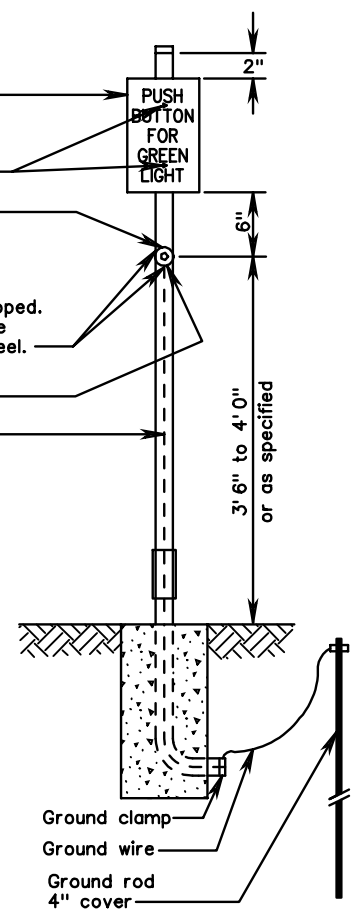


PA-1



PA-2



PA-3

PEDESTRIAN ACTUATION DETAILS