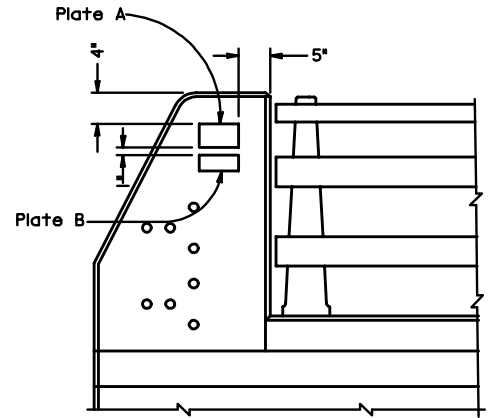
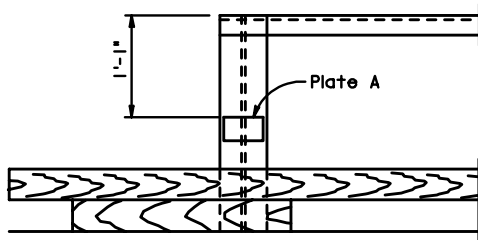


TERMINAL WALL/PARAPET

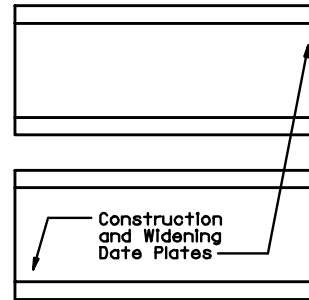
PARAPET



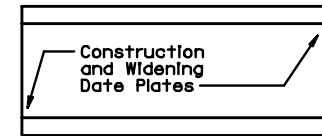
TERMINAL WALL/ALUMINUM RAIL



STEEL END POST



LOCATION SKETCH FOR TWIN BRIDGE



LOCATION SKETCH FOR SINGLE BRIDGE

BRIDGE CONSTRUCTION AND WIDENING DATE PLATES PLACEMENT DETAILS