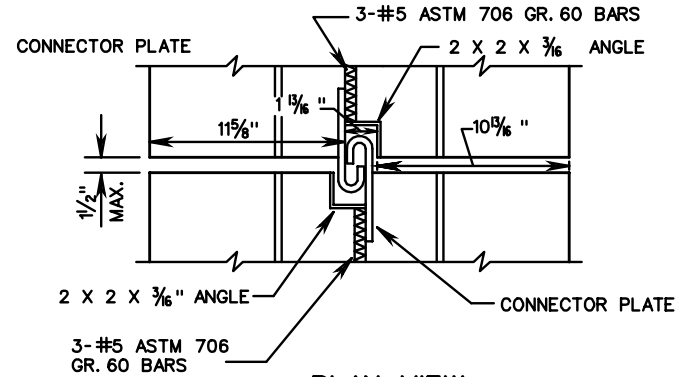
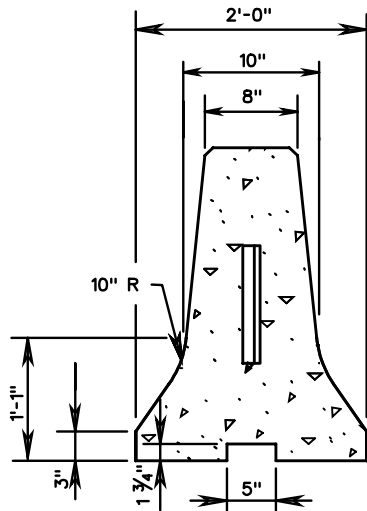


PLAN VIEW

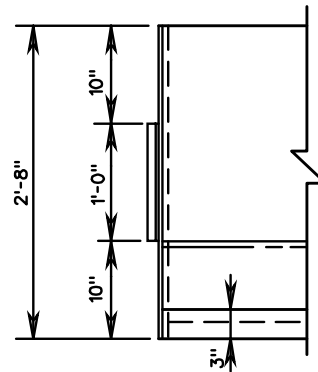


PLAN VIEW

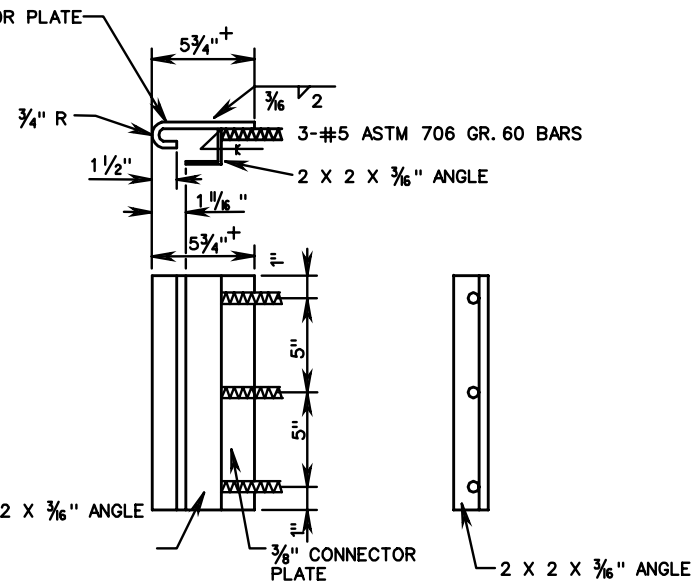
3/8" CONNECTOR PLATE



ELEVATION VIEW



SIDE VIEW



ELEVATION VIEW

SIDE VIEW

CONNECTOR PLATE DETAIL

NOTES:

1. ALL EXPOSED METAL TO BE GALVANIZED FOR PERMANENT LOCATIONS.
2. J-J HOOK AS MANUFACTURED BY SMITH MIDLAND.
3. ALL EXPOSED METAL MAY BE GALVANIZED FOR TEMPORARY LOCATIONS.

J-J HOOK DETAILS

PRECAST CONCRETE MEDIAN BARRIER  
POSITIVE CONNECTION OPTIONS

SPECIFICATION  
REFERENCE