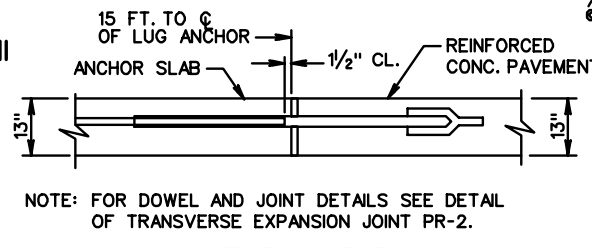
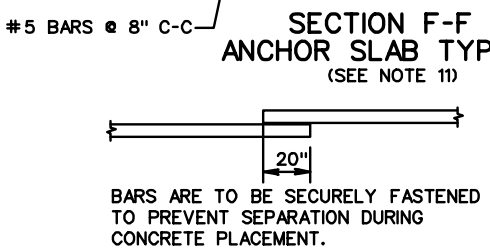
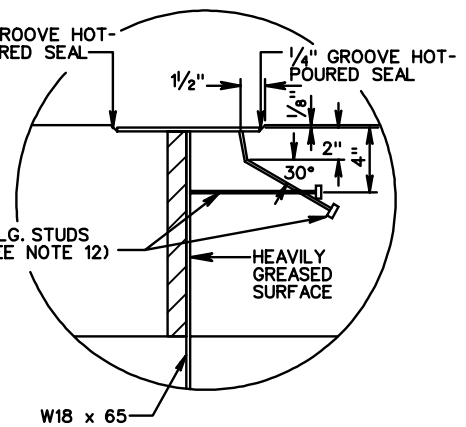
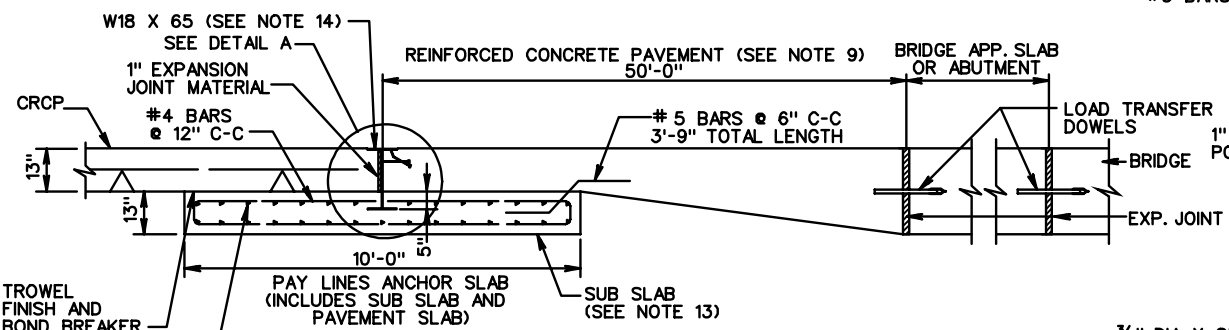
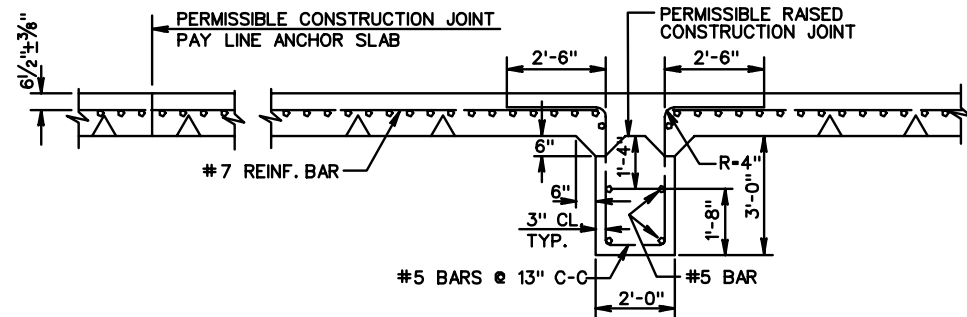
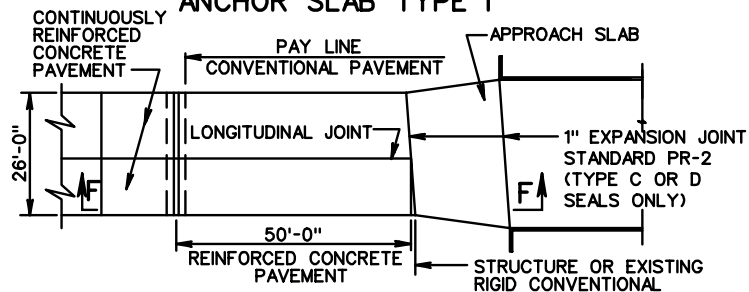
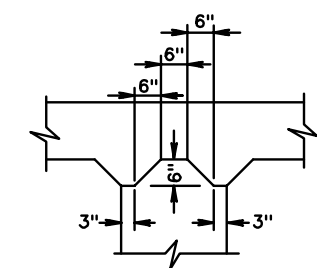
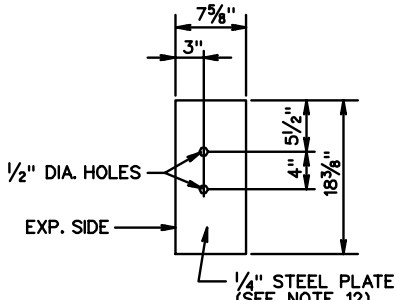
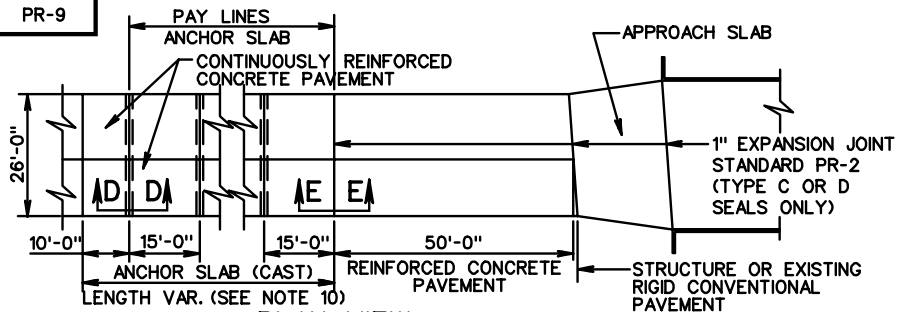


PR-9



NOTE: FOR DOWEL AND JOINT DETAILS SEE DETAIL OF TRANSVERSE EXPANSION JOINT PR-2.

SEE SHEET 3 OF 3 FOR NOTES

13" THICK CONTINUOUSLY REINFORCED CONCRETE PAVEMENT 14' TRAVEL LANE

301.26

VIRGINIA DEPARTMENT OF TRANSPORTATION

SPECIFICATION REFERENCE

316