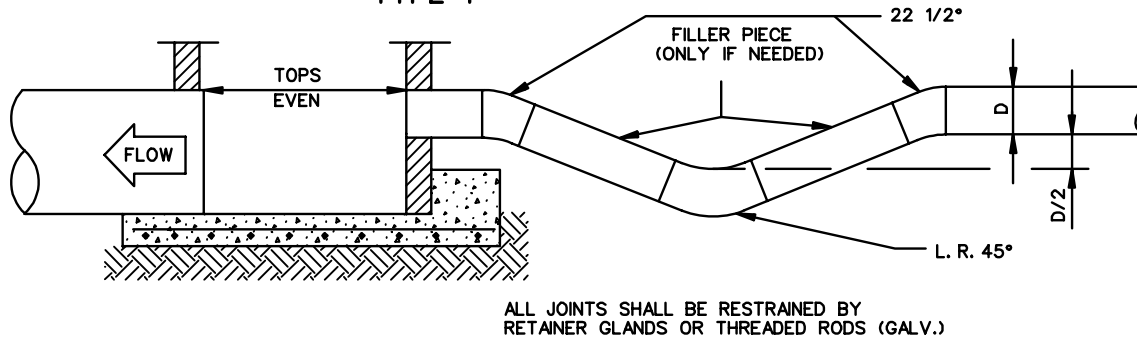
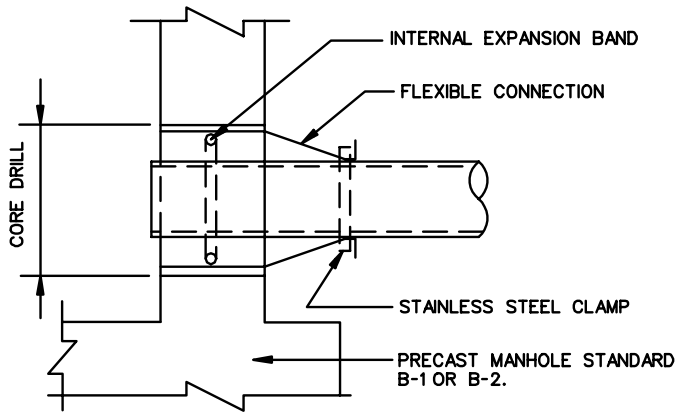


**FORCE MAIN DISCHARGE  
TYPE 1**



**FORCE MAIN DISCHARGE  
TYPE 2**



**FLEXIBLE CONNECTION**

PIPELINES CONNECTING DIRECTLY TO PRECAST MANHOLES SHALL BE MADE WITH A FLEXIBLE BOOT. THE BOOT SHALL MEET ASTM SPECIFICATION C-923 BOOT SHALL BE MADE FROM NEOPRENE RUBBER AND HAVE A 3/8" MINIMUM WALL THICKNESS THROUGHOUT. THE INTERNAL EXPANSION BAND TO SECURE THE BOOT IN PLACE SHALL CONFORM TO ALUMINUM MATERIAL SPECIFICATION 6061-T6. THE EXTERNAL BAND TO CLAMP AND SEAL THE BOOT TO THE PIPE SHALL BE STAINLESS STEEL - CORROSION RESISTANT CONFORMING TO ASTM SPECIFICATION A-167. THE PORT TO RECEIVE THE BOOT SHALL BE CORE DRILLED AND IS TO BE MANUFACTURED AS TO ALLOW FOR LATERAL AND VERTICAL MOVEMENT, AS WELL AS ANGULAR ADJUSTMENT THRU 20 DEGREES. ALL FIELD INSTALLATION OF PIPE THRU MANHOLE SEAL SHALL BE DONE IN ACCORDANCE WITH THE MANUFACTURE'S RECOMMENDATIONS AND SPECIFICATIONS.

**SANITARY SEWER MANHOLE  
WATER AND SANITARY SEWER FACILITIES**

VIRGINIA DEPARTMENT OF TRANSPORTATION