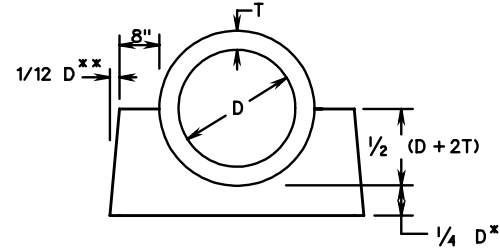


NOTES:

TO PROVIDE THE REQUIRED WATER QUALITY ORIFICE, ALL STORMWATER MANAGEMENT (SWM) BASINS SHALL BE CONSTRUCTED WITH THE FOLLOWING:

1. FOR SWM DRAINAGE STRUCTURES, SWM DAMS OR SWM RISER PIPES OF CONCRETE, AN OPENING SHALL BE PROVIDED IN THE CONCRETE WALL: 12" MAX. OR 6" MIN. AND SHALL BE COVERED WITH THE 3/8" METAL PLATE.
2. DEBRIS RACK SHALL BE ATTACHED TO SWM DRAINAGE STRUCTURE, SWM DAM OR SWM RISER PIPE TO COVER WATER QUALITY ORIFICE.
3. SIZE OF WATER QUALITY ORIFICE IS TO BE SPECIFIED FOR EACH BASIN.

FOR DETAILS OF SWM DRAINAGE STRUCTURE SEE STANDARD SWM-1.

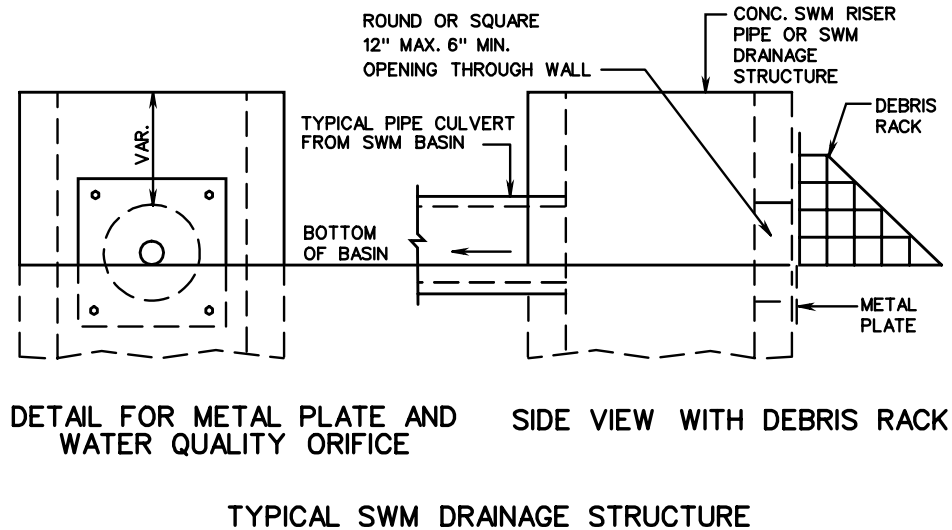
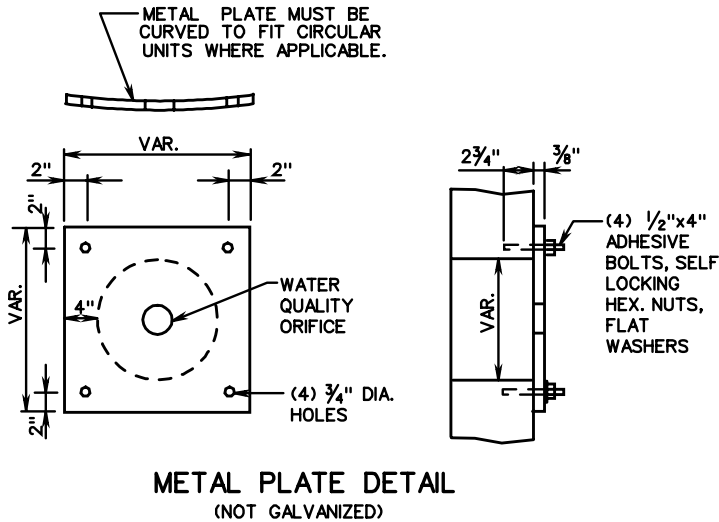


CONCRETE CRADLE

- * BUT NOT LESS THAN 6"
- ** IF THE PIPE IS LAID IN AN EXCAVATED TRENCH, THEN THE SIDE WALLS MAY CONFORM TO THE TRENCH SHAPE (IE THE TRENCH MAY BECOME THE CRADLE FORM).

CONCRETE CRADLE IS TO BE INSTALLED UNDER THE ENTIRE LENGTH OF CULVERT AT EACH STORMWATER MANAGEMENT BASIN.

CONCRETE CRADLE IS TO BE PAID FOR AS MISCELLANEOUS CONCRETE AND SUMMARIZED AS EACH PER LOCATION.



STORMWATER MANAGEMENT (SWM) DETAILS

DEBRIS RACK, METAL PLATE, WATER QUALITY ORIFICE, CONCRETE CRADLE
(FOR SWM DRAINAGE STRUCTURES, SWM RISER PIPES AND SWM DAMS)