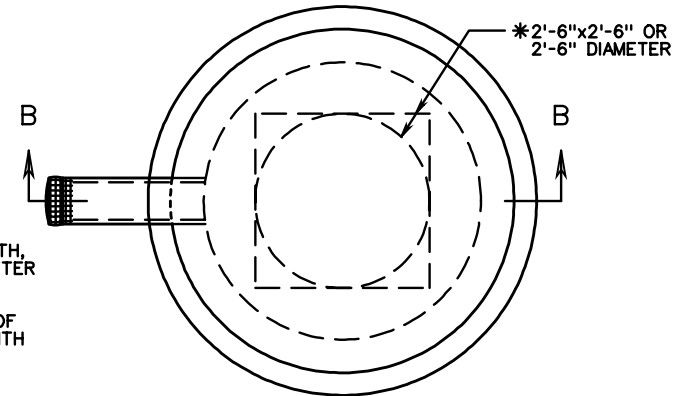


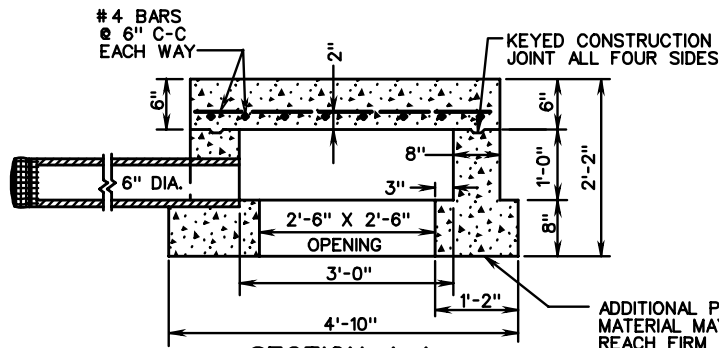
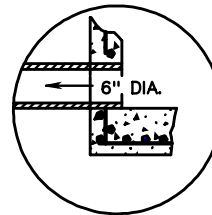
PLAN
(SQUARE)



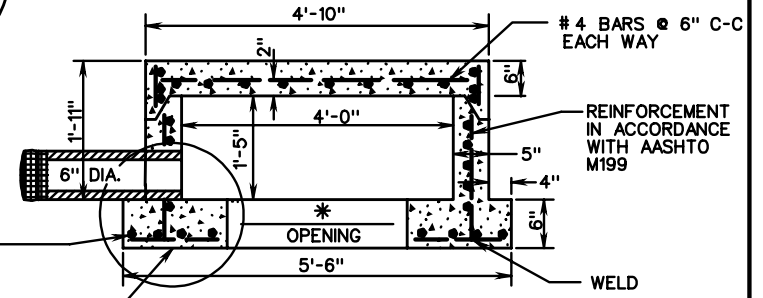
PLAN
(CIRCULAR)

★ 3/4" x 3/4" MESH HARDWARE CLOTH,
MIN. 17 GAUGE GALVANIZED AFTER
WEAVING.

▲ CRIMP AROUND OUTLET END OF
PIPE AND SECURE TO PIPE WITH
GALVANIZED STEEL WIRE.



SECTION A-A



SECTION B-B

ADDITIONAL POURED IN PLACE FOUNDATION
MATERIAL MAY BE REQUIRED IN ORDER TO
REACH FIRM FOUNDATION.

NOTES:
CONCRETE TO BE 4000 PSI MINIMUM COMPRESSIVE
STRENGTH.

REINFORCING STEEL IN ACCORDANCE WITH A.S.T.M.
A-615 (REINFORCING BARS).

PIPE OPENING AS REQUIRED 4" MIN. 8" MAX. LARGER
THAN O.D. PIPE.

DIMENSIONS SHOWN ARE MINIMUM. ACTUAL MEASUREMENTS
MAY VARY WITH MANUFACTURER'S TOLERANCES.

SPECIFICATION REFERENCE	
105	

PRECAST SPRING BOX

VIRGINIA DEPARTMENT OF TRANSPORTATION