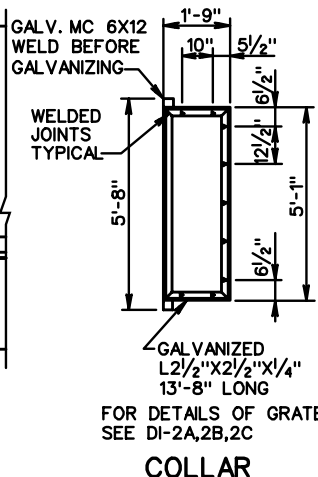
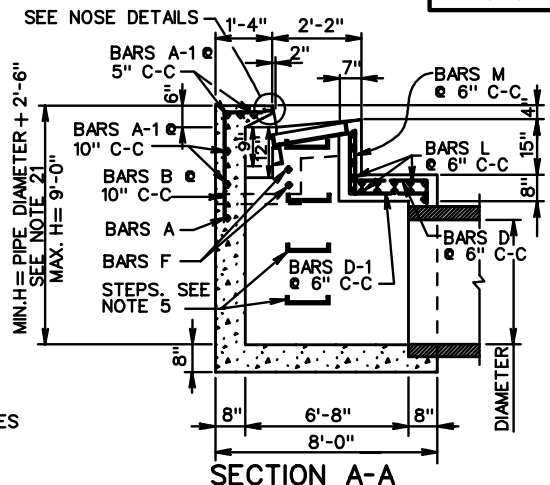


PLAN VIEW

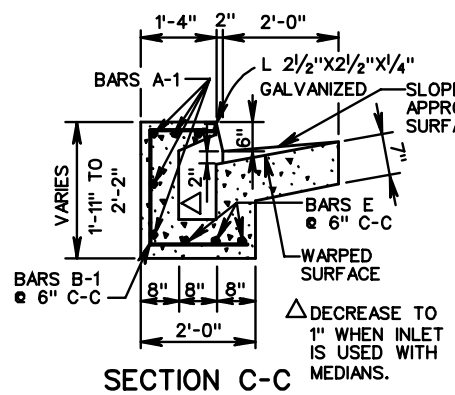
FRONT ELEVATION



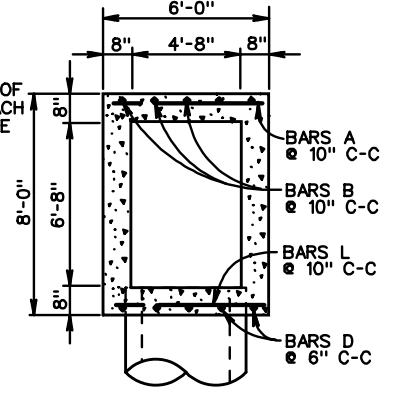
COLLAR



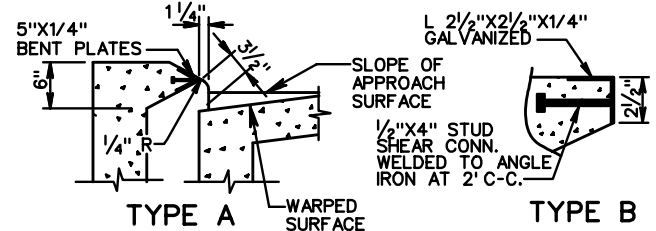
SECTION A-A



SECTION C-C

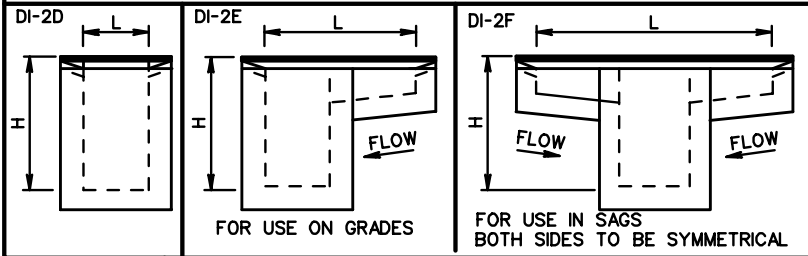


SECTION B-B



NOSE DETAILS

TYPE A NOSE DETAIL SHALL BE USED WITH CG-7 STANDARD.
 TYPE B NOSE DETAIL SHALL BE USED WITH CG-6 STANDARD.
 GALVANIZED PLATE FOR TYPE A TO BE BENT ON AN ANGLE OF 68° 30' AND IS TO BE ANCHORED WITH 1/2" X 4" STUD SHEAR CONNECTORS WELDED TO BENT PLATE AT 2' C-C.



SPECIFICATION REFERENCE
233
302

STANDARD CURB DROP INLET
30" - 48" PIPE: MAXIMUM DEPTH (H) = 9"
 VIRGINIA DEPARTMENT OF TRANSPORTATION

SHEET 1 OF 2
 REV. 7/05
 104.06