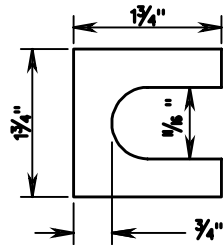
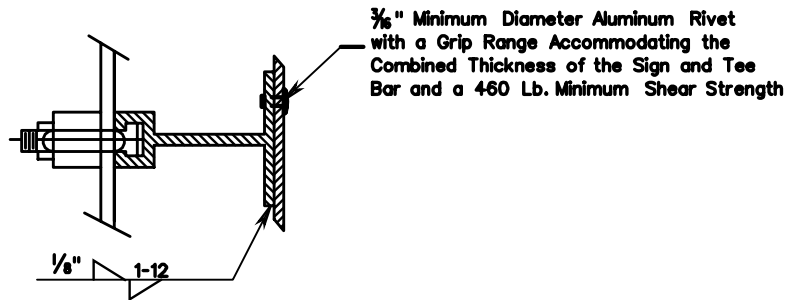


SHIM DETAIL



Furnish 2 @ 0.63" thick and 2 @ .032" thick shims per post. Shims shall be fabricated from brass conforming to ASTM B36M or from stainless steel with a minimum chromium content of 11.50% . No more than 2 shims shall be used per bolt with a maximum of 4 shims per post.

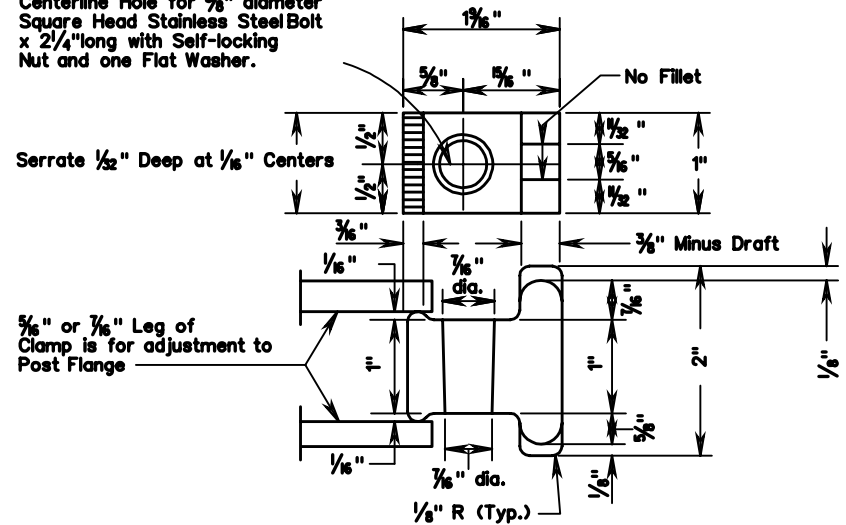
FASTENING



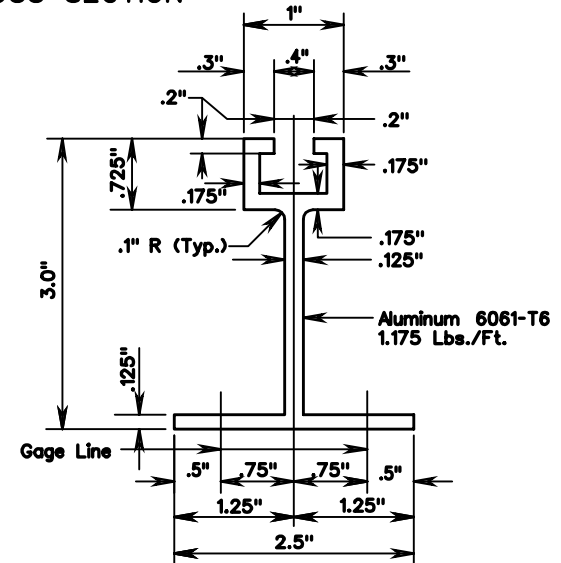
POST CLAMP DETAIL

Galvanized Gray - Iron or Aluminum Casting

Centerline Hole for 3/8" diameter Square Head Stainless Steel Bolt x 2 1/4" long with Self-locking Nut and one Flat Washer.



TEE CROSS SECTION



TYPICAL DETAILS FOR TYPE VA SIGN STRUCTURES