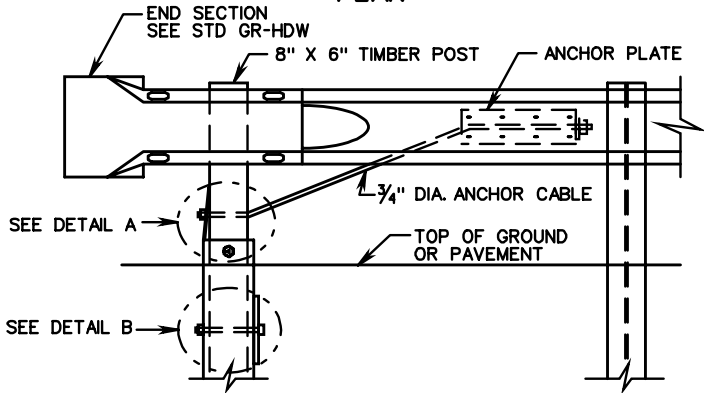
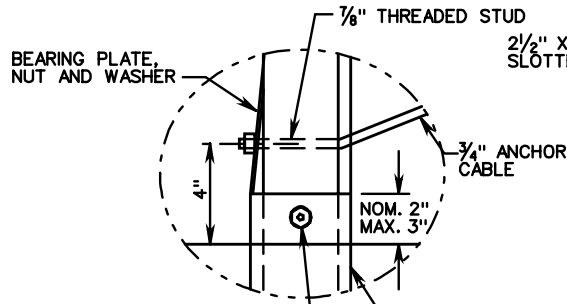


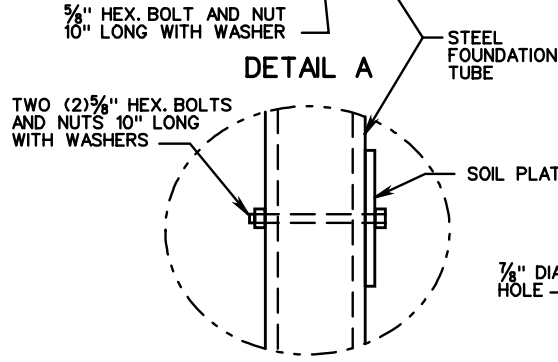
PLAN



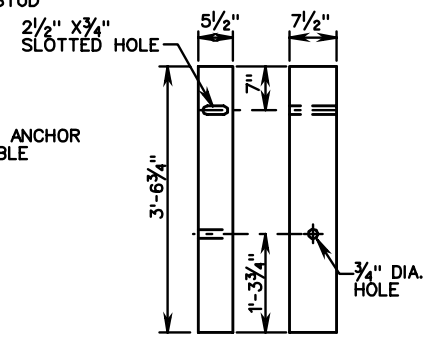
ELEVATION



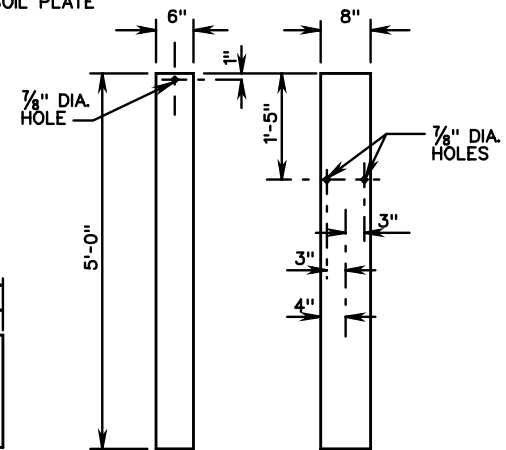
DETAIL A



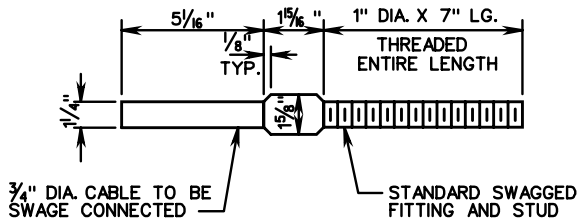
DETAIL B



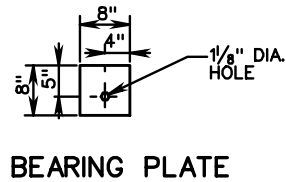
SHORT WOODEN POST



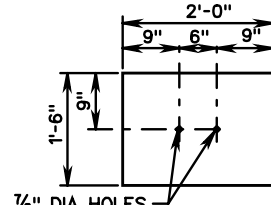
STEEL FOUNDATION TUBE



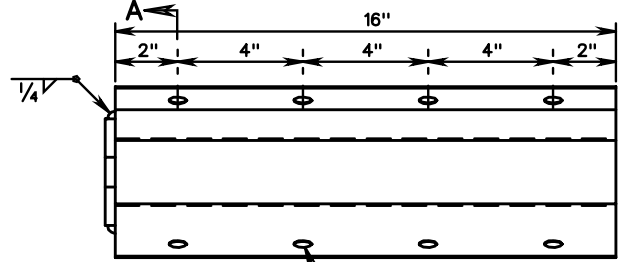
ANCHOR PLATE DETAILS



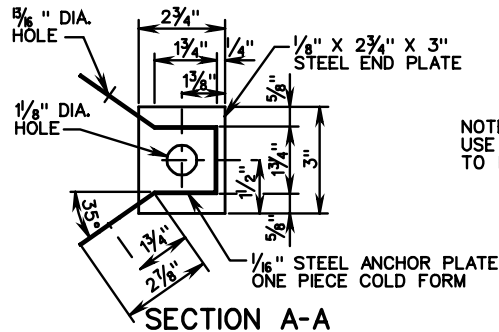
BEARING PLATE



SOIL PLATE



ALTERNATE ANCHOR PLATE DETAILS



SECTION A-A

NOTE:
USE OF THIS TERMINAL TREATMENT IS RESTRICTED
TO RUN-OFF CONDITIONS ON DIVIDED HIGHWAYS.

TRAILING END TERMINAL TREATMENT