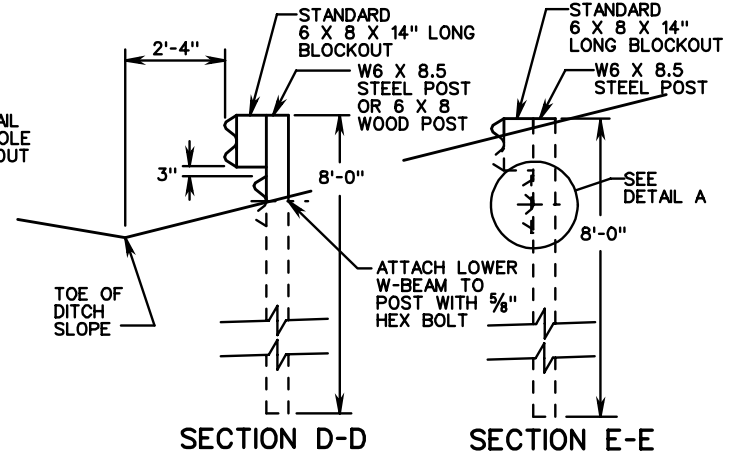
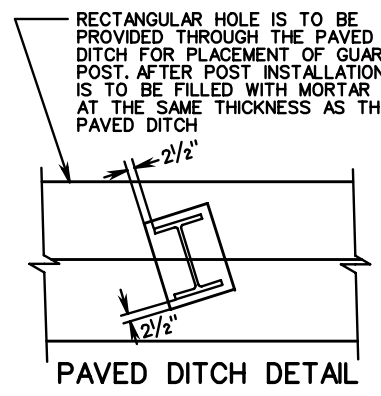


NOTE:

- 1/2" STEEL PLATE MAY BE WELDED OR BOLTED TO POST. IF PLATE IS BOLTED TO POST USE 4 - 5/8" X 1 1/2" LG. HEX HEAD BOLTS W/ HEX NUTS. IF PLATE IS WELDED TO POST DO NOT DRILL 5/8" HOLES IN PLATE OR IN POST FLANGES.
- CONCRETE END ANCHORAGE MAY BE USED IN PLACE OF STEEL POST AT 8'-0" OFFSET.



SPECIFICATION REFERENCE
505 221

TERMINAL TREATMENT FOR W BEAM GUARDRAIL