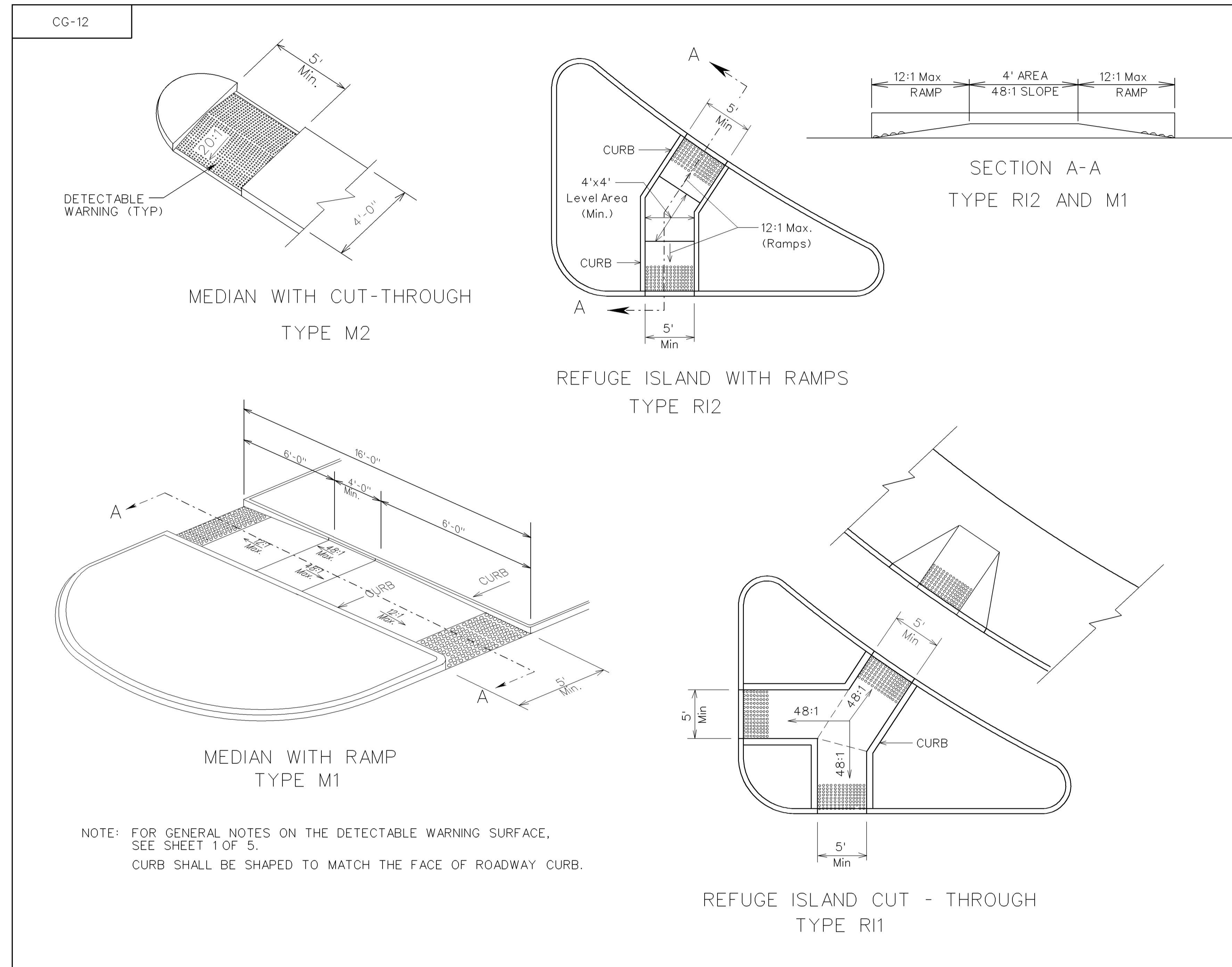


PROJECT MANAGER _____
 SURVEYED BY _____
 DESIGN SUPERVISED BY _____
 DESIGNED BY _____

DESIGN FEATURES RELATING TO CONSTRUCTION OR TO REGULATION AND CONTROL OF TRAFFIC MAY BE SUBJECT TO CHANGE AS DEEMED NECESSARY BY THE DEPARTMENT

REVISED	STATE	FEDERAL AID	ROUTE	STATE	SHEET NO.
	VA.	PROJECT		PROJECT	



NOTE: FOR GENERAL NOTES ON THE DETECTABLE WARNING SURFACE, SEE SHEET 1 OF 5.
 CURB SHALL BE SHAPED TO MATCH THE FACE OF ROADWAY CURB.

		CG-12 DETECTABLE WARNING SURFACE MEDIAN AND REFUGE ISLAND APPLICATIONS VIRGINIA DEPARTMENT OF TRANSPORTATION	SPECIFICATION REFERENCE
ROAD AND BRIDGE STANDARDS			105
SHEET 5 OF 5	REVISION DATE		502
203.08A	New 4/09		

4/17/2009 08:44:32

NEW 4/09			
SPECIAL DESIGN SECTION	PLAN NO.	PROJECT	FILE NO.
DRAWING NO. IIS02_03			SHEET NO.