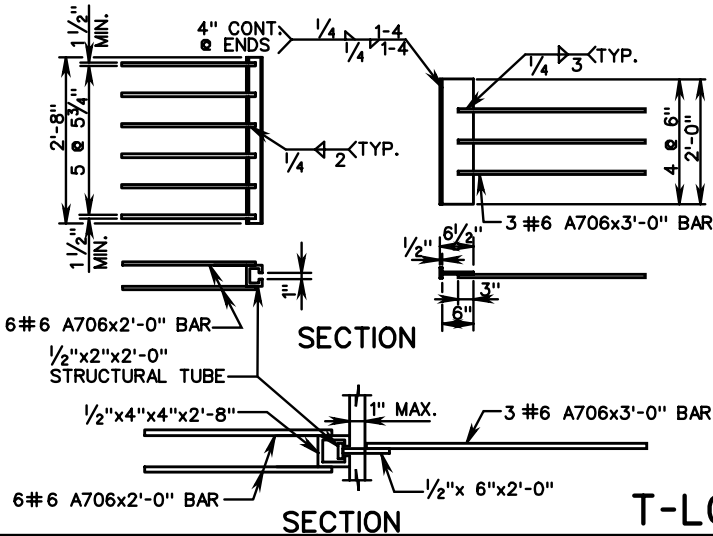
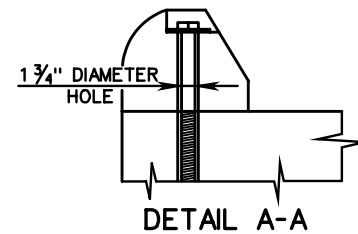
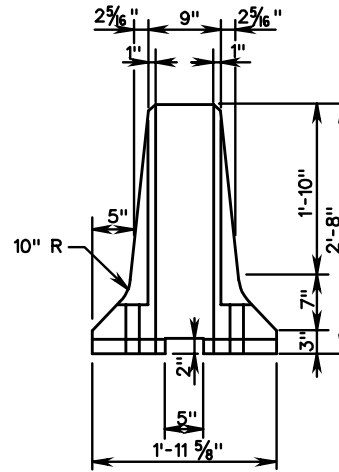


LEGEND	
•	- 11'-8" BAR
○	- 2' AND 3' BAR

**NOTES:**

1. MINIMUM COMPRESSIVE STRENGTH OF CONCRETE AT THE AGE OF 28 DAYS SHALL BE 4000 PSI.
2. ALL REINFORCEMENT SHALL CONFORM TO ASTM A615, GRADE 60.
3. STANDARD BARRIER SECTIONS SHALL BE 12'-0" AS SHOWN OR 18'-0". SHORTER SECTIONS SHALL BE CAST IN REQUIRED LENGTHS AS ONE UNIT. LONGER SECTIONS SHALL BE CAST TO REQUIRED DIMENSIONS IN TWO UNITS.
4. ALL EXPOSED METAL IS TO BE GALVANIZED FOR PERMANENT LOCATIONS.
5. ALL EXPOSED METAL SHALL BE GALVANIZED FOR TEMPORARY LOCATIONS.
6. T-LOK AS MANUFACTURED BY ROCKINGHAM PRECAST
7. BEGINNING WITH JANUARY 2000 ADVERTISEMENT ALL POSITIVE CONNECTIONS MUST BE APPROVED BY THE FHWA IN ACCORDANCE WITH NCHRP 350 TEST REQUIREMENTS.
8. REFER TO MANUFACTURER FOR TEMPORARY INSTALLATION DETAILS.



WHEN USING T-LOK BARRIER, ALLOW FOR A 3'-10" DYNAMIC DEFLECTION. PROVIDE MINIMUM 60' OF BARRIER UPSTREAM AND DOWNSTREAM OF WORK ZONE FOR ANCHORAGE.



ROAD AND BRIDGE STANDARDS

**PRECAST CONCRETE MEDIAN BARRIER  
POSITIVE CONNECTION OPTIONS**

SPECIFICATION  
REFERENCE

SHEET 2 OF 5

REVISION DATE

VIRGINIA DEPARTMENT OF TRANSPORTATION

502.21