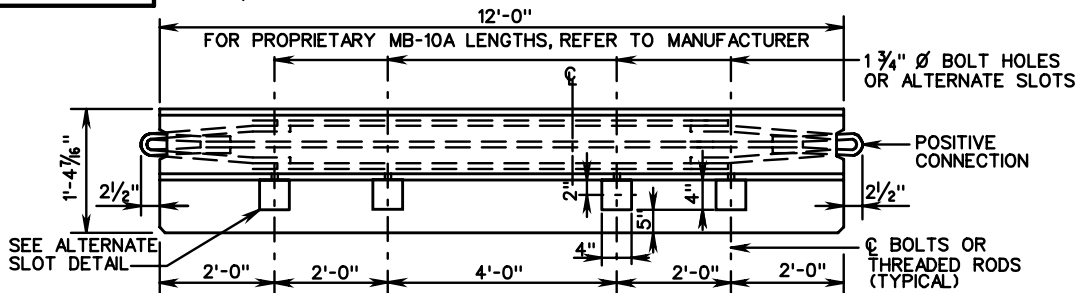
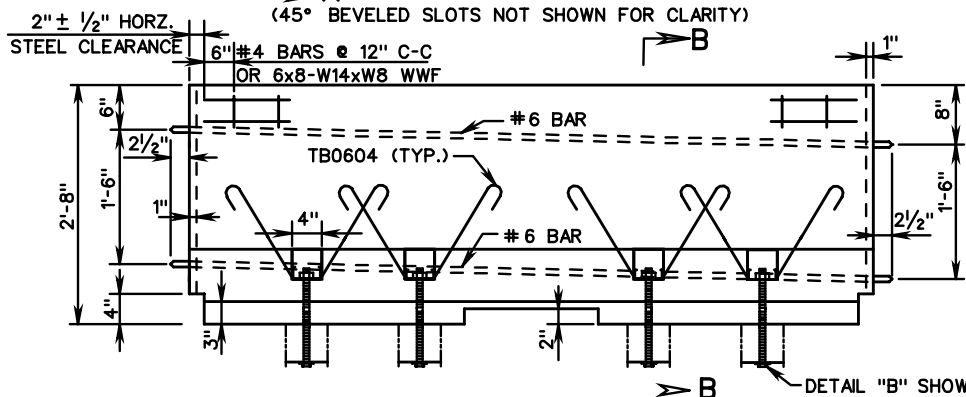


MB-10A

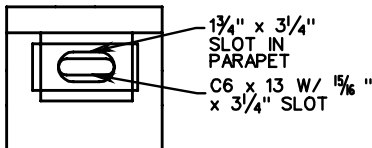


PLAN VIEW

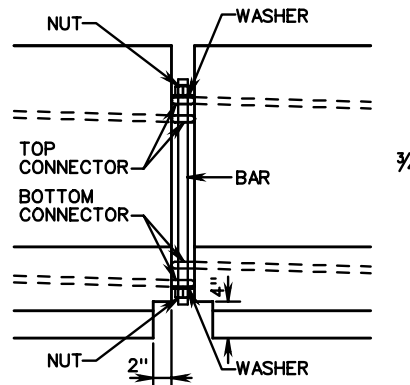


ELEVATION VIEW

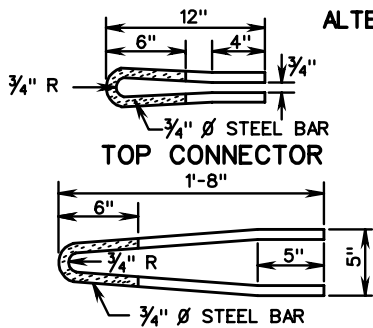
(45° BEVELED SLOTS NOT SHOWN FOR CLARITY)



ALTERNATE SLOT DETAIL



ELEVATION OF CONNECTION

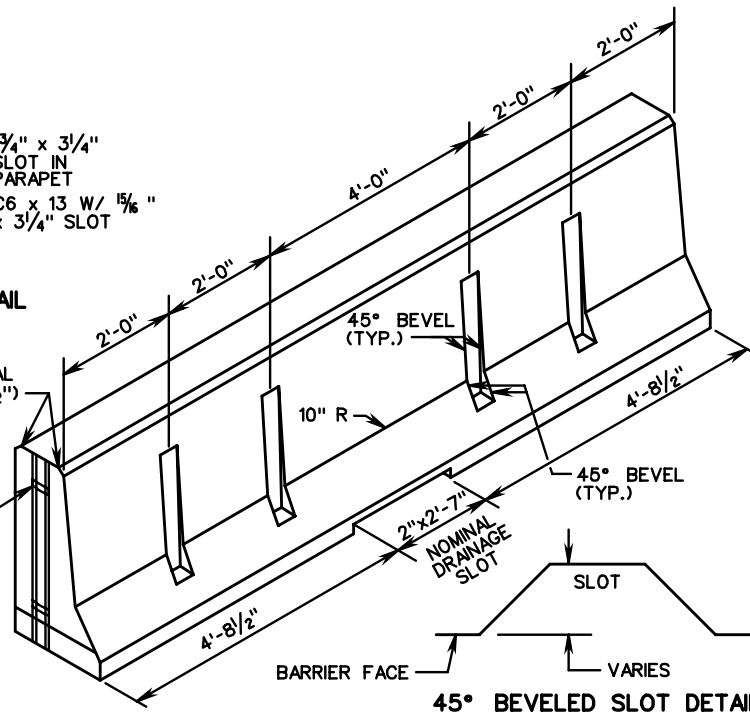


BOTTOM CONNECTOR

GALVANIZE AFTER FORMING
NOTE: ENTIRE CONNECTOR MAY BE GALVANIZED.

ALL ENDS OPTIONAL CHAMFER (1/2" x 1/2")

POSITIVE CONNECTION



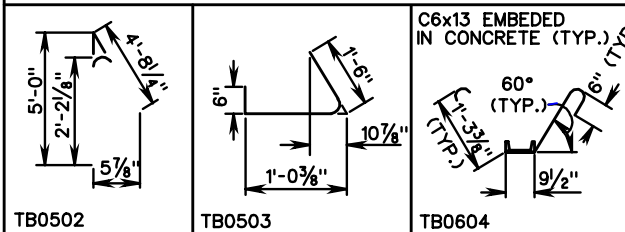
45° BEVELED SLOT DETAIL

REINFORCING STEEL SCHEDULE

FOR ONE (1) SECTION

MARK	No.	SIZE	LENGTH	PIN Ø	LOCATION
TB0401	8	4	11'-5"	—	TEMP. PARAPET
TB0502	12	5	4'-3"	2 1/2"	"
TB0503	12	5	2'-8"	2 1/2"	"
TB0604	8	6	4'-8"	4 1/2"	"

BENDING DIAGRAM



DIMENSIONS IN BENDING DIAGRAMS ARE OUT-TO-OUT OF BARS, EXCEPT AS SHOWN.
POUNDS OF REINFORCING STEEL = 202
REINFORCING SCHEDULE BASED ON 12'-0" UNIT LENGTH.



ROAD AND BRIDGE STANDARDS

SHEET 1 OF 2

REVISION DATE

502.11

TRAFFIC BARRIER SERVICE CONCRETE PARAPET (SINGLE FACE)

(FOR TEMPORARY INSTALLATION ON BRIDGE DECK EXTERIOR)

VIRGINIA DEPARTMENT OF TRANSPORTATION

SPECIFICATION REFERENCE

105
502