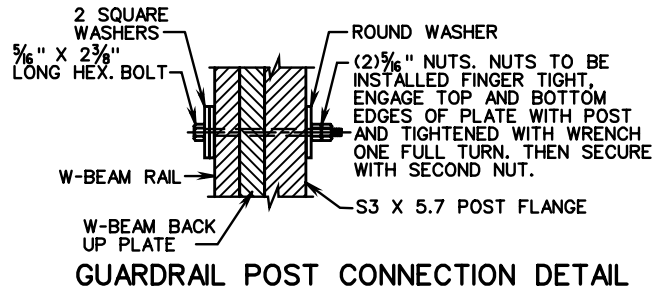


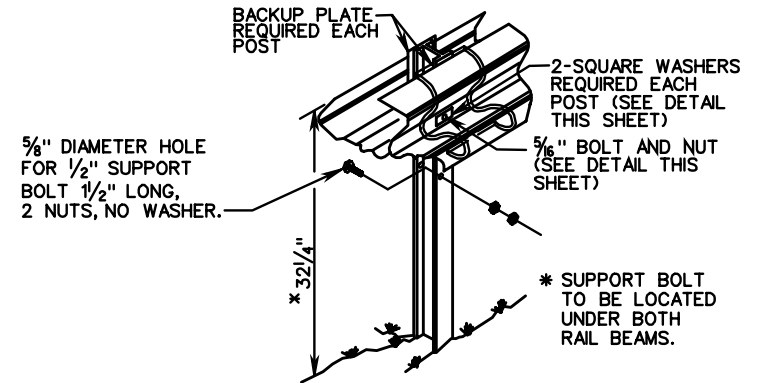
SQUARE WASHER 5/16" HEX BOLT AND NUT

BOLT AND NUT SHALL HAVE 4000 POUNDS MIN. TENSILE STRENGTH.



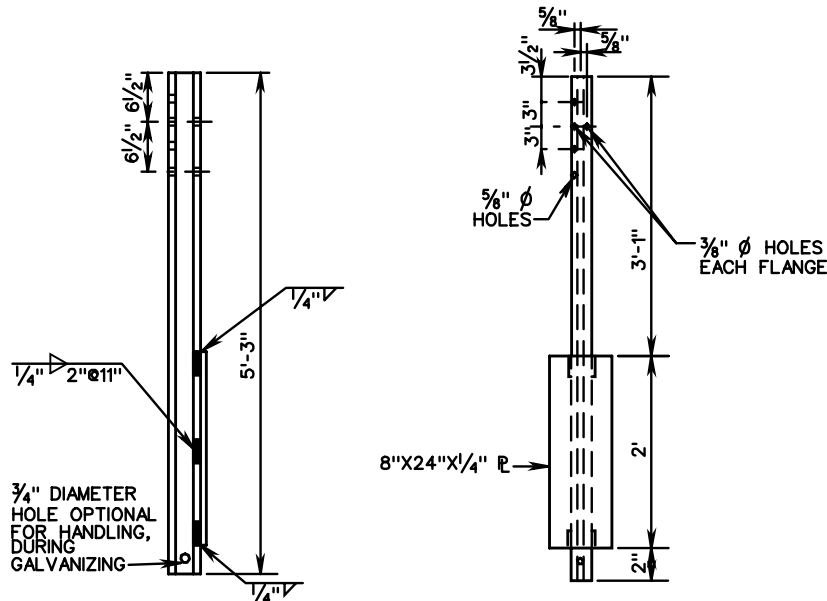
GUARDRAIL POST CONNECTION DETAIL

⊗ THE GUARDRAIL AND MEDIAN BARRIER COMPONENTS DEPICTED IN A.R.T.B.A. TECHNICAL BULLETIN NUMBER 268B MAY BE SUBSTITUTED IF INTERCHANGEABLE WITH THE STANDARDS FOR GUARDRAIL (GR) OR MEDIAN BARRIER (MB) AND APPROVED BY THE ENGINEER.



TYPICAL INSTALLATION

* HEIGHT TOLERANCE ± 3/4"



FOR ROCK INSTALLATION, 8" X 26" X 1/4" PLATE IS TO BE ELIMINATED. DRILL OR EXCAVATE HOLE FOR POST, PLACE AND BACKFILL WITH CRUSHER RUN AGGREGATE TO LEVEL OF ROCK.

S3X5.7 STEEL POST

NOTES:

- STANDARD MB-5 POST SPACING IS 12'-6"
- STANDARD MB-5A POST SPACING IS 6'-3"
- STANDARD MB-5B POST SPACING IS 3'-1/2"
- STANDARD MB-5 DEFLECTION IS 7'-0"

ALL POSTS, BOLTS, NUTS AND WASHERS ARE TO BE GALVANIZED.

FOR DETAILS OF GUARDRAIL ELEMENT, HARDWARE, ETC. SEE SHEET NO. 501.01.

FOR DETAILS OF GUARDRAIL SPLICE JOINT, SEE STD. GR-8 DEPICTING AN NCHRP 350 TL-3 INSTALLATION.

SPECIFICATION REFERENCE	STANDARD W-BEAM MEDIAN BARRIER (WEAK POST SYSTEM) TL-3 (>45 MPH) VIRGINIA DEPARTMENT OF TRANSPORTATION		VDOT ROAD AND BRIDGE STANDARDS	
221 505			502.02	