

MB-3

1/2" (+1/4") CHAMFER ALL CORNERS

ALL CONCRETE SHALL BE CLASS A3.

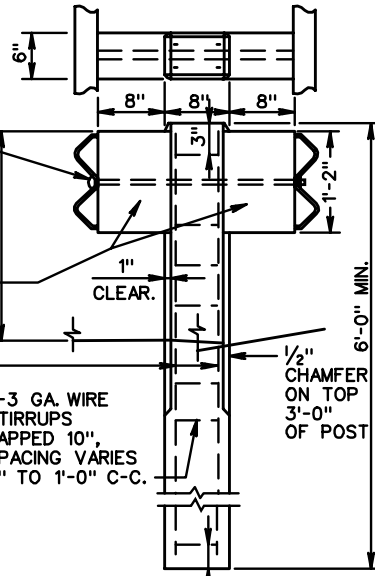
3/4" HOLES TO BE CAST IN POST.

5/8" X 26" BOLT  
6" X 8" X 1'-2" TREATED PINE BLOCK OR RECYCLED MATERIAL

4 #4 DEFORMED REINF. BARS 4" LESS THAN HEIGHT OF POST

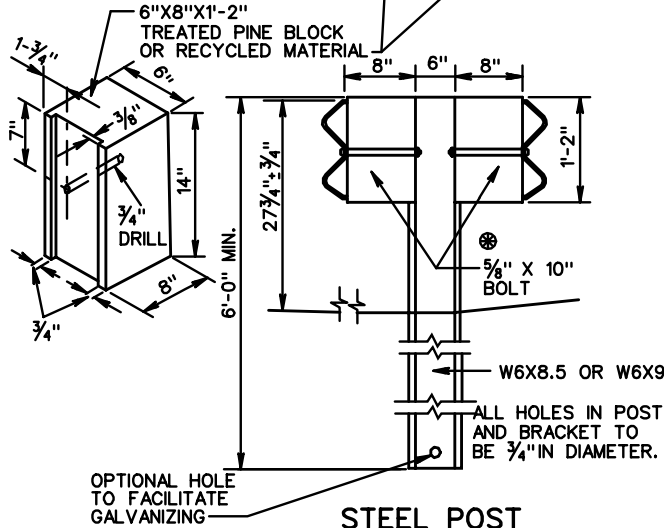
CHAMFER MAY BE EXTENDED ENTIRE LENGTH OF POST AT THE OPTION OF THE FABRICATOR.

DIMENSIONS SHOWN IN PARENTHESIS INDICATE ACCEPTABLE TOLERANCES.

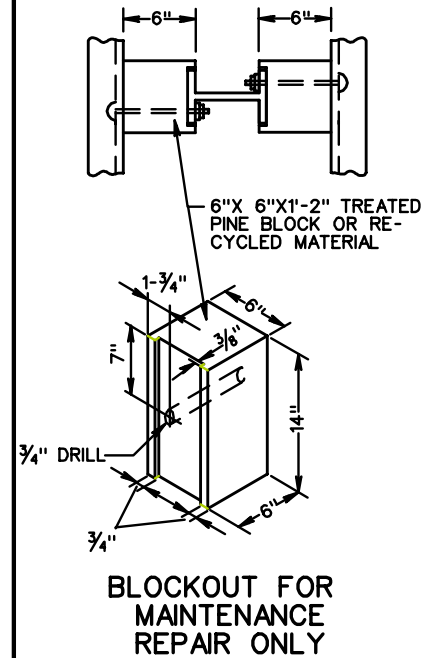


CONCRETE POST

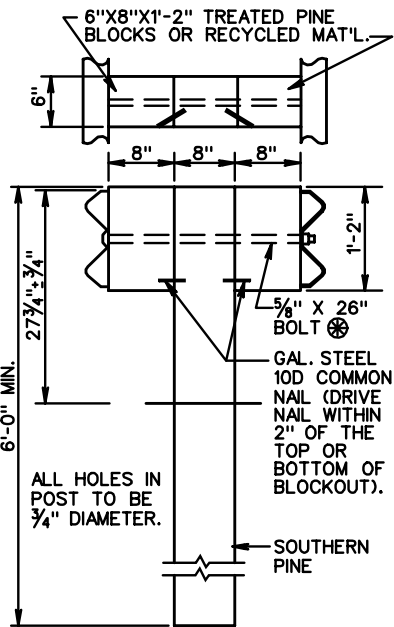
POST MAY BE HOT ROLLED OR WELDED



STEEL POST



BLOCKOUT FOR MAINTENANCE REPAIR ONLY



6X8 WOOD POST

NOTES:

STANDARD MB-3 POST SPACING IS 6'-3".

FOR DETAILS OF RAIL ELEMENT, RAIL SPLICE JOINT, W BEAM BACK UP PLATE, AND ASSOCIATED HARDWARE SEE SHEET NO. 501.01.

ALTERNATE TYPE POSTS AND BLOCKOUTS MAY BE INTERCHANGED ON ANY ONE PROJECT WITH THE RESTRICTION THAT THE SAME TYPE OF POST AND BLOCKOUT MUST BE USED IN ANY SINGLE RUN OF MEDIAN BARRIER.

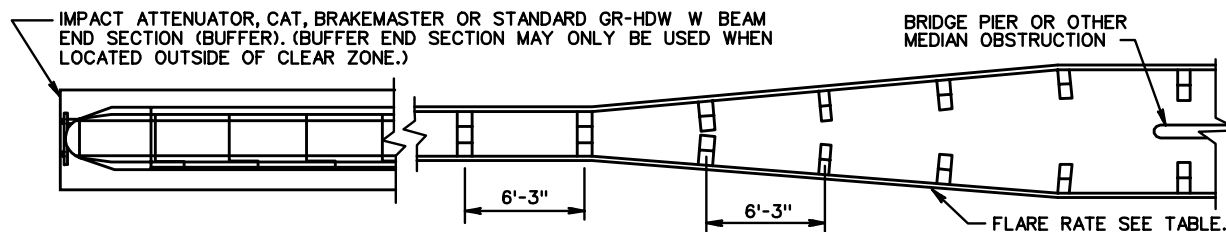
ALL BOLTS, NUTS, WASHERS, STEEL POSTS, BENT PLATE POST, AND BLOCKOUTS ARE TO BE GALVANIZED.

THE GUARDRAIL AND MEDIAN BARRIER COMPONENTS DEPICTED IN A.R.T.B.A. TECHNICAL BULLETIN NUMBER 268B MAY BE SUBSTITUTED IF INTERCHANGEABLE WITH THE STANDARDS FOR GUARDRAIL (GR) OR MEDIAN BARRIER (MB) AND APPROVED BY THE ENGINEER.

⊗ STANDARD WASHERS ARE TO BE USED ON LAST 50' OF RUN OFF END ONLY.

| DESIGN SPEED | FLARE RATES     |                 |            |
|--------------|-----------------|-----------------|------------|
|              | INSIDE SHY LINE | BEYOND SHY LINE |            |
| MPH          | SHY LINE LS     | FLARE RATE      | FLARE RATE |
| 70           | 10'             | 30:1            | 15:1 *     |
| 60           | 8'              | 26:1            | 14:1 *     |
| 50           | 6.6'            | 21:1            | 11:1 *     |
| 40           | 5'              | 17:1            | 8:1 *      |
| 30           | 3.6'            | 13:1            | 7:1 *      |

\* SUGGESTED MAXIMUM FLARE RATE FOR SEMI-RIGID BARRIER SYSTEMS.



METHOD OF TREATMENT AT BRIDGE PIER OR MEDIAN OBSTRUCTION



ROAD AND BRIDGE STANDARDS

SHEET 1 OF 1

REVISION DATE

502.01

BLOCKED-OUT W-BEAM MEDIAN BARRIER

VIRGINIA DEPARTMENT OF TRANSPORTATION

SPECIFICATION REFERENCE

221  
505