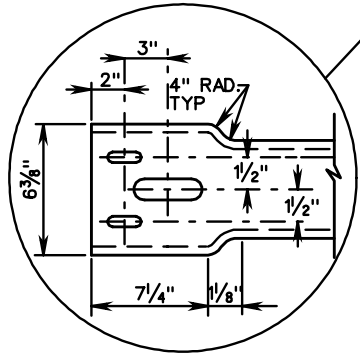
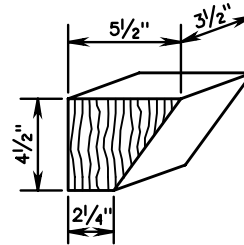


ITEM ⑦ DETAIL

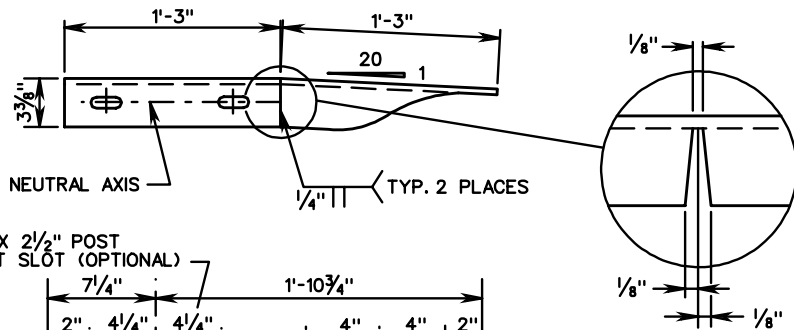


NOTES:

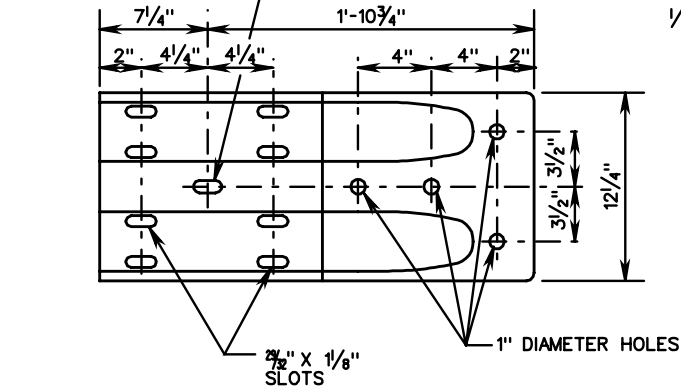
1. CAN BE FIELD CUT AND BENT USING HEAT. IF SHOP CUT AND BENT, RIGHT HAND OR LEFT HAND MUST BE SPECIFIED, DEPENDING ON WHICH SIDE OF THE ROADWAY THE TRANSITION IS USED.



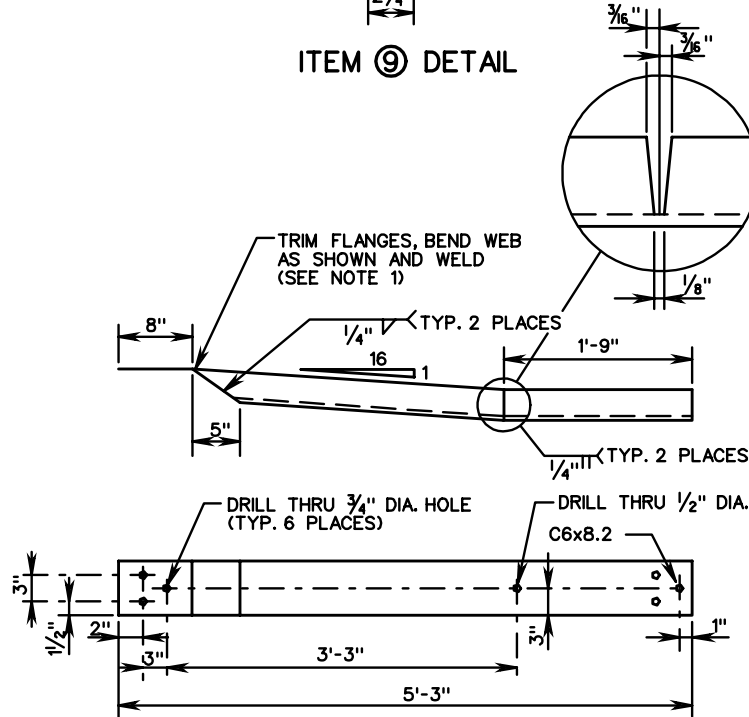
ITEM ⑨ DETAIL



3/4" X 2 1/2" POST BOLT SLOT (OPTIONAL)



W BEAM TERMINAL CONNECTOR (MOD.)



ITEM ⑧ DETAIL



ROAD AND BRIDGE STANDARDS

**BLOCKED-OUT W-BEAM MEDIAN BARRIER  
FIXED OBJECT ATTACHMENT**  
(RUBRAIL AND HARDWARE DETAILS)  
VIRGINIA DEPARTMENT OF TRANSPORTATION

SPECIFICATION REFERENCE

SHEET 2 OF 2

REVISION DATE

505

501.32