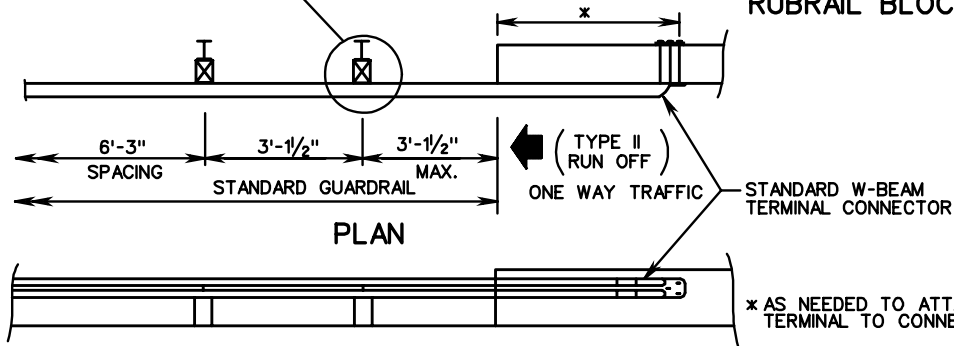


NOTE:

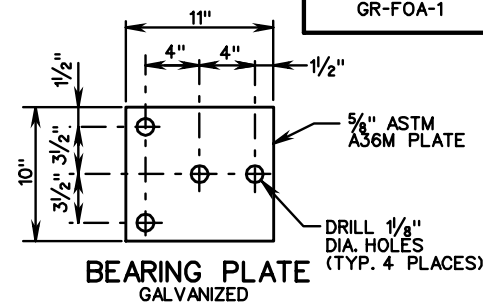
CAN BE FIELD CUT AND BENT USING HEAT. IF SHOP CUT AND BENT, RIGHT HAND OR LEFT HAND MUST BE SPECIFIED DEPENDING ON WHICH SIDE OF THE ROADWAY THE TRANSITION IS USED.

ITEM 7 DETAIL

INDICATES EXTRA POST REQ'D. FOR RUN-OFF FIXED OBJECT ATTACHMENT ST'D. GR-FOA-1 TYPE II



ELEVATION



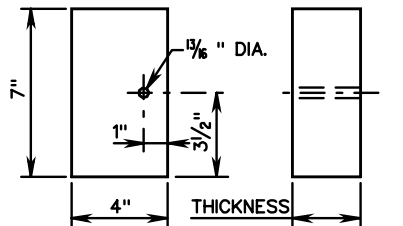
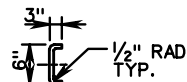
☆ CAN BE FIELD CUT AND BENT USING HEAT.

WOOD POSTS
RUBRAIL BLOCKOUTS
7" X 4" X THICKNESS

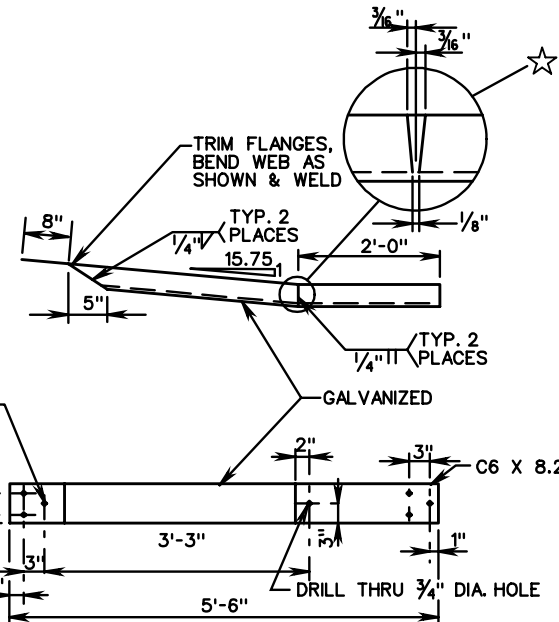
POST	THICKNESS
1	6 5/8"
2	5 1/16"
3	3 3/16"
4	2"

STEEL POSTS
RUBRAIL BLOCKOUTS
7" X 4" X THICKNESS

POST	THICKNESS
1	5"
2	3 13/16"
3	2 5/8"
4	1 1/16"



RUBRAIL BLOCKOUT DETAIL



ITEM 8 DETAIL

SPECIFICATION REFERENCE

505

**W-BEAM GUARDRAIL - FIXED OBJECT ATTACHMENT
(RUBRAIL AND HARDWARE DETAILS)**

VIRGINIA DEPARTMENT OF TRANSPORTATION

VDOT

ROAD AND BRIDGE STANDARDS

REVISION DATE

SHEET 3 OF 3

501.27