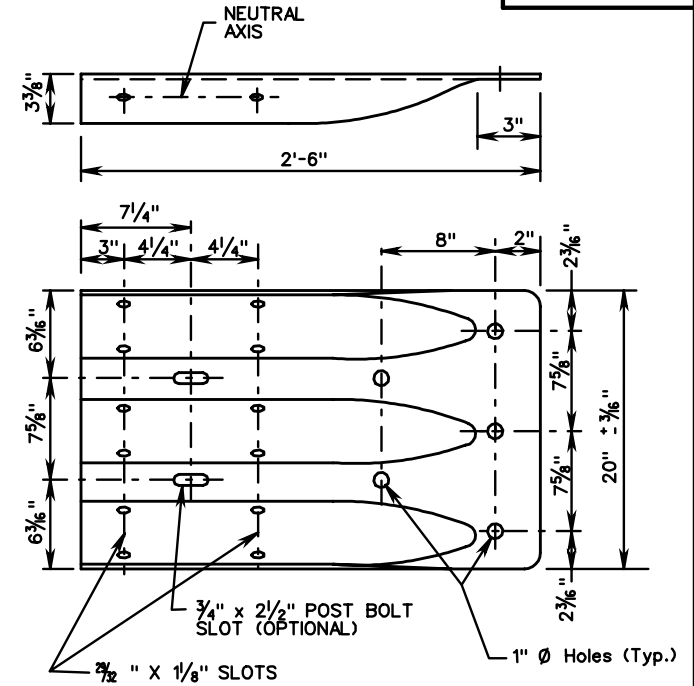


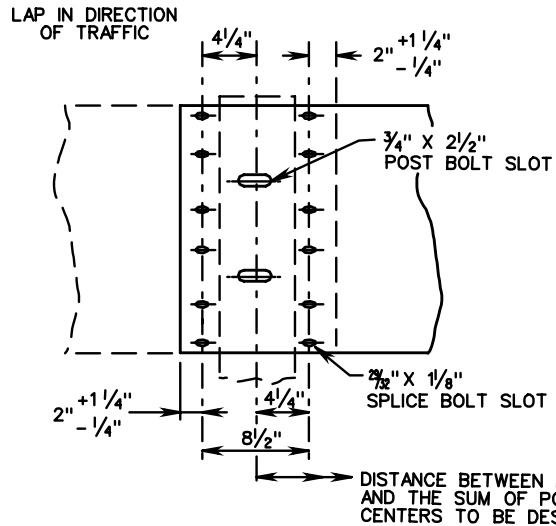
SECTION THRU THRIE BEAM RAIL ELEMENT

NOTES:

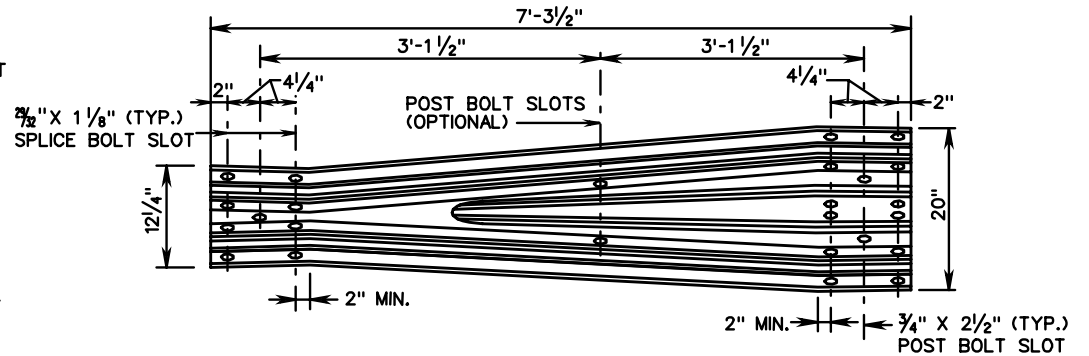
THE GUARDRAIL AND MEDIAN BARRIER COMPONENTS DEPICTED IN ARTBA TECHNICAL BULLETIN NUMBER 268B MAY BE SUBSTITUTED IF INTERCHANGEABLE WITH THE STANDARDS FOR GUARDRAIL (GR) OR MEDIAN BARRIER (MB) AND APPROVED BY THE ENGINEER.



THRIE BEAM TERMINAL CONNECTOR DETAIL



SPLICE DETAIL



TRANSITION SECTION DETAIL (W-BEAM TO THRIE BEAM)

SPECIFICATION REFERENCE

221
505

STANDARD GUARDRAIL HARDWARE
THRIE BEAM GUARDRAIL HARDWARE

VIRGINIA DEPARTMENT OF TRANSPORTATION

VDOT

ROAD AND BRIDGE STANDARDS

REVISION DATE

SHEET 3 OF 3

501.03