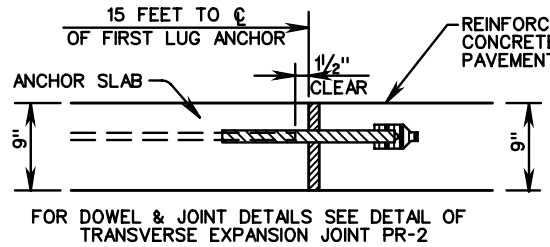
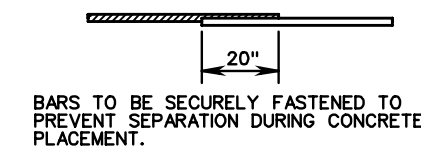
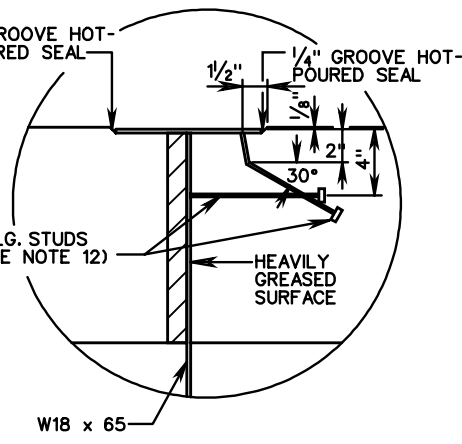
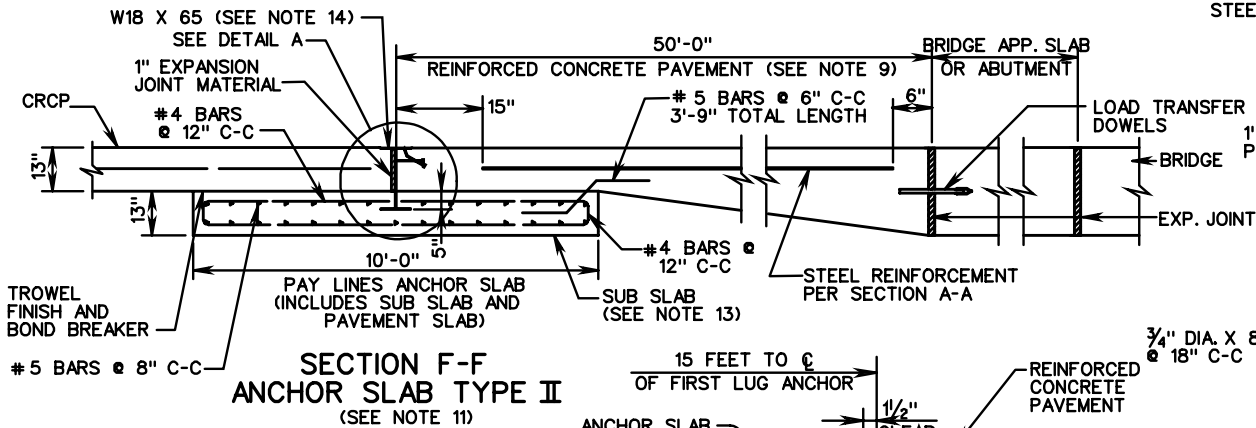
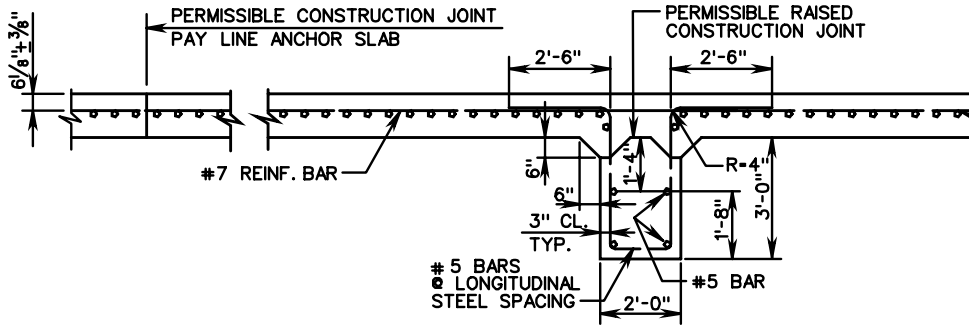
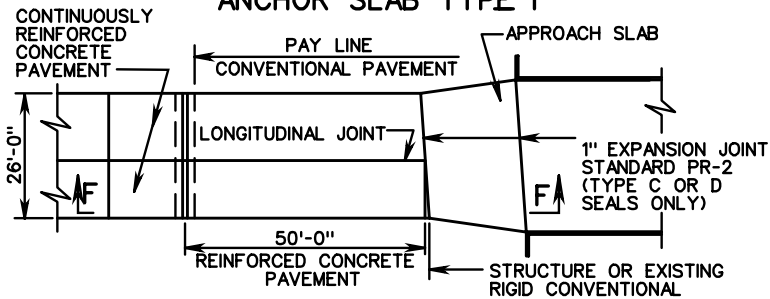
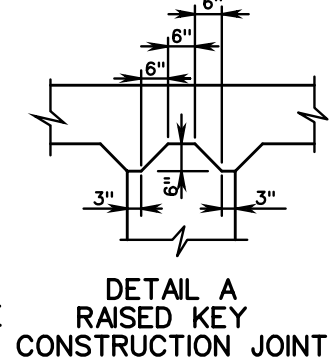
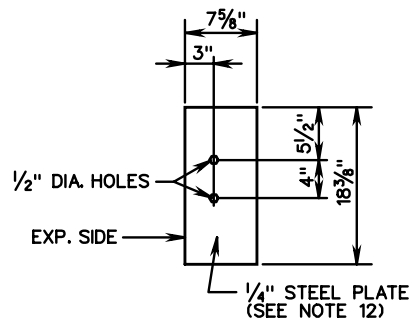
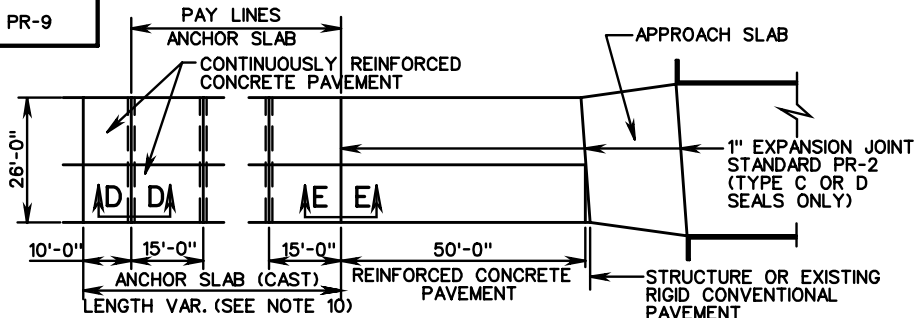


PR-9



SEE SHEET 3 OF 3 FOR NOTES

13" THICK CONTINUOUSLY REINFORCED CONC. PAVE.
(14' TRAVEL LANE)

SPECIFICATION REFERENCE

316