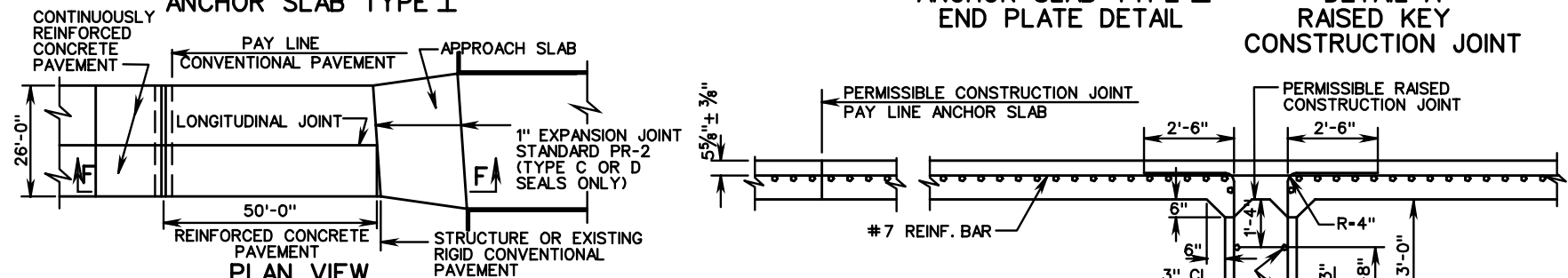


**PLAN VIEW
ANCHOR SLAB TYPE I**

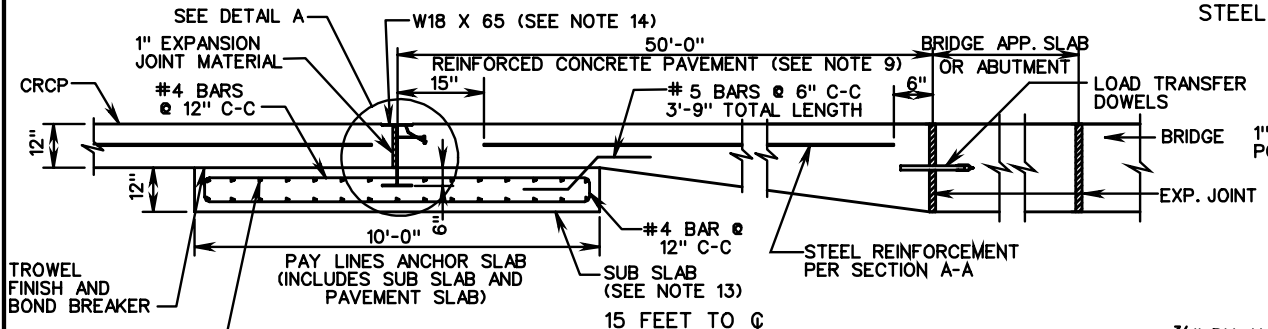
**ANCHOR SLAB TYPE II
END PLATE DETAIL**

**DETAIL A
RAISED KEY
CONSTRUCTION JOINT**

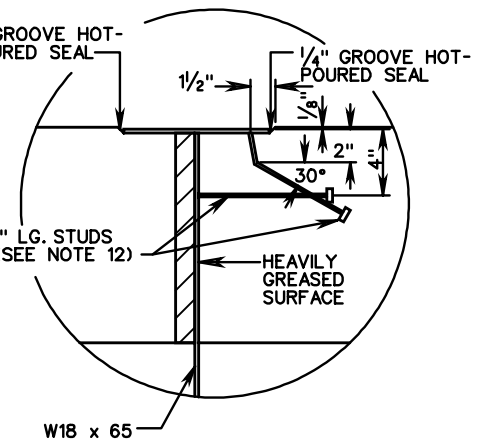


**PLAN VIEW
ANCHOR SLAB TYPE II**

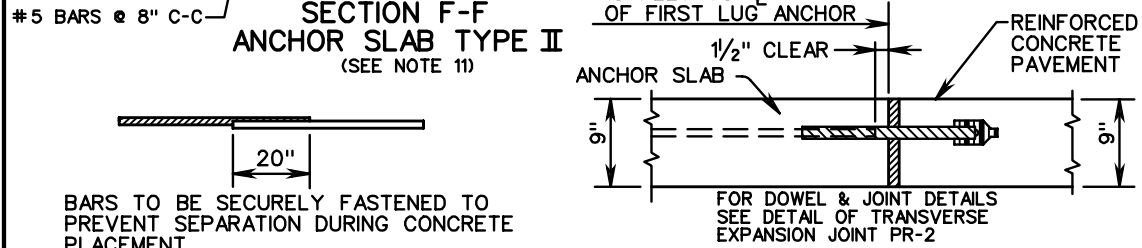
SECTION D-D



**SECTION F-F
ANCHOR SLAB TYPE II
(SEE NOTE 11)**



DETAIL A



**SECTION E-E
ANCHOR SLAB TYPE I**

**TYPICAL
LONGITUDINAL LAP**

SEE SHEET 3 OF 3 FOR NOTES

SPECIFICATION REFERENCE	12" THICK CONTINUOUSLY REINFORCED CONC PAVE. (14' TRAVEL LANE)	VDOT ROAD AND BRIDGE STANDARDS	
316		REVISION DATE	SHEET 2 OF 3
VIRGINIA DEPARTMENT OF TRANSPORTATION		301.23	