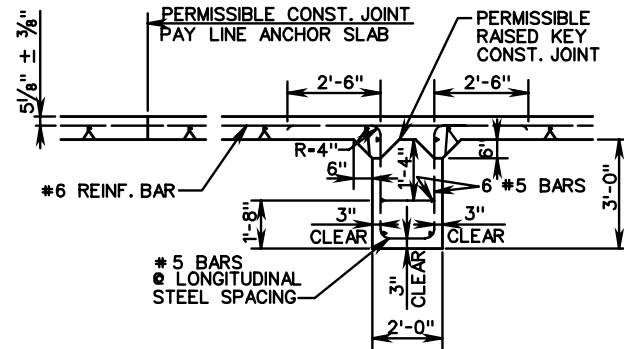
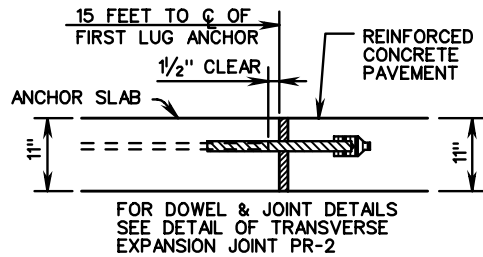


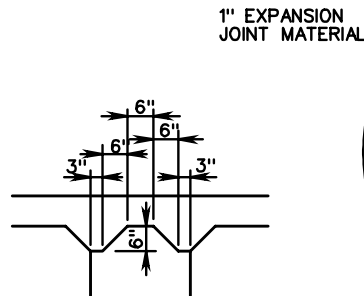
PLAN VIEW ANCHOR SLAB TYPE I



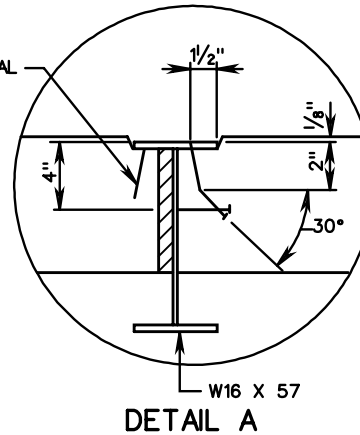
SECTION D-D



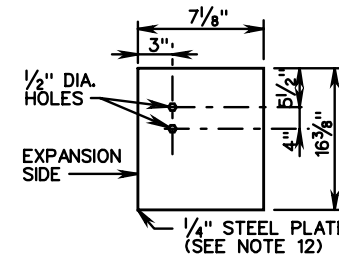
SECTION E-E ANCHOR SLAB TYPE I



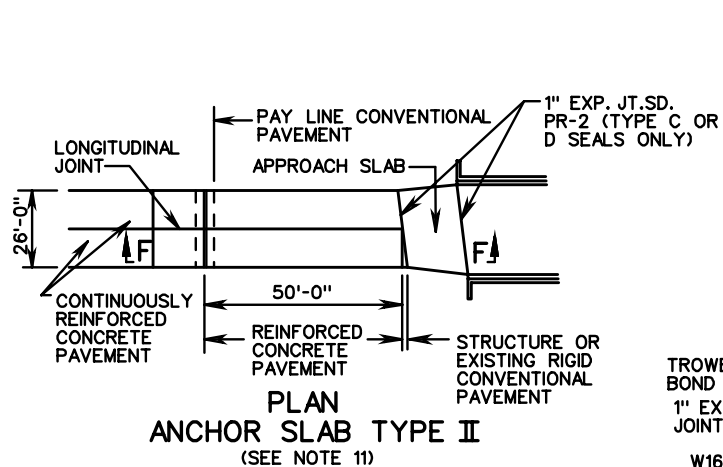
DETAIL-RAISED KEY CONSTRUCTION JOINT



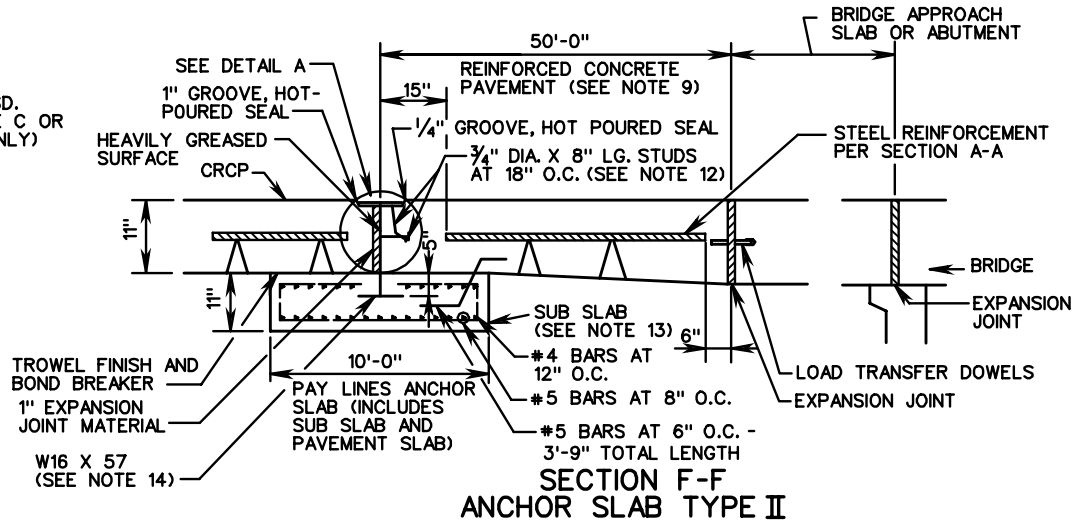
DETAIL A



ANCHOR SLAB TYPE II END PLATE DETAIL



PLAN ANCHOR SLAB TYPE II (SEE NOTE 11)



SECTION F-F ANCHOR SLAB TYPE II

SEE SHEET 3 OF 3 FOR NOTES



ROAD AND BRIDGE STANDARDS

11" THICK CONTINUOUSLY REINFORCED CONC. PAVE.
(14 FOOT TRAVEL LANE)

SPECIFICATION REFERENCE

SHEET 2 OF 3

REVISION DATE

301.20

VIRGINIA DEPARTMENT OF TRANSPORTATION

316