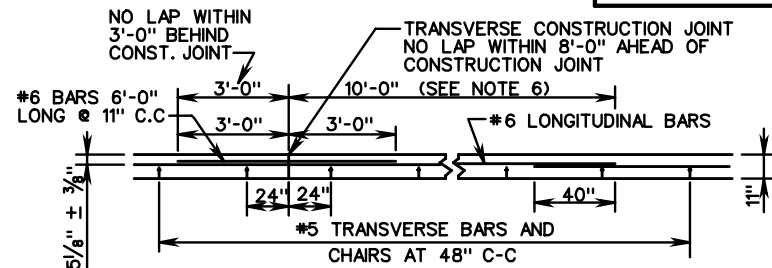
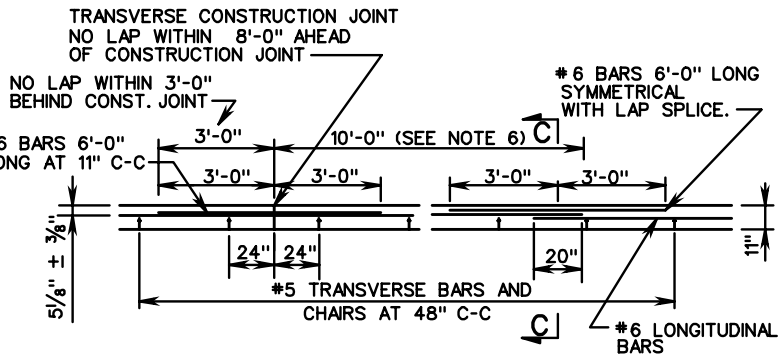


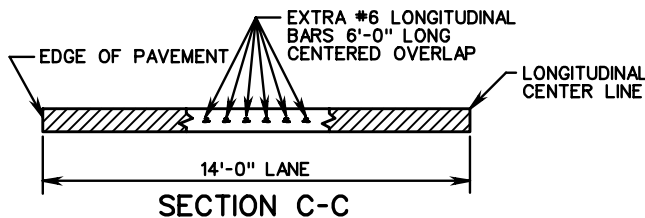
PLAN VIEW
CONTINUOUSLY REINFORCED CONCRETE PAVEMENT



SECTION B-B
DOUBLE LAP METHOD



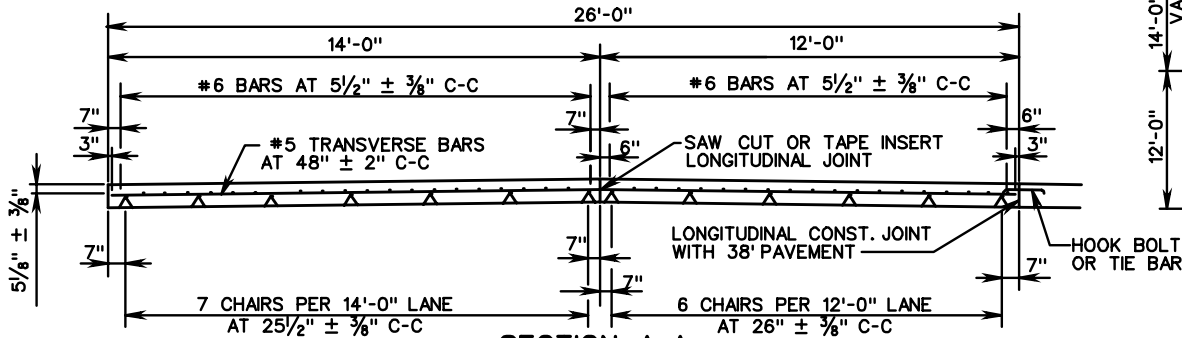
SECTION B-B
EXTRA BAR METHOD



SECTION C-C

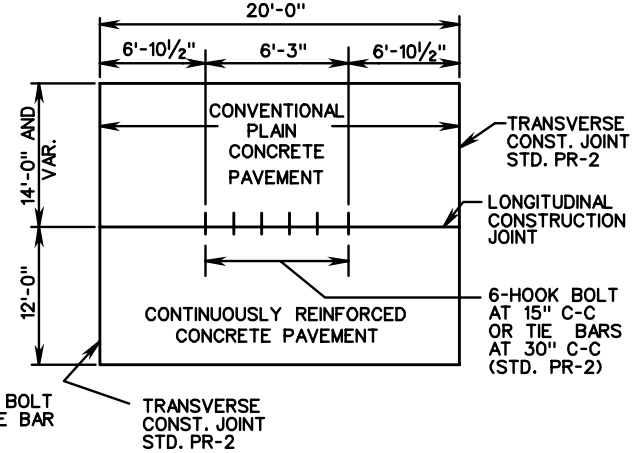


TYPICAL LONGITUDINAL LAP
BARS TO BE SECURELY FASTENED TO PREVENT SEPARATION DURING CONCRETE PLACEMENT.



SECTION A-A

SEE SHEET 3 OF 3 FOR NOTES



PLAN-RAMP & MAIN LINE CONNECTION

SPECIFICATION REFERENCE

316

11" THICK CONTINUOUSLY REINFORCED CONC. PAVE.

(14 FOOT TRAVEL LANE)

VIRGINIA DEPARTMENT OF TRANSPORTATION

VDOT

ROAD AND BRIDGE STANDARDS

REVISION DATE

SHEET 1 OF 3

301.19