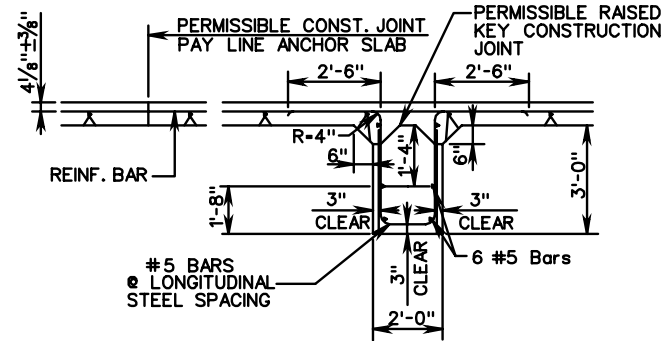
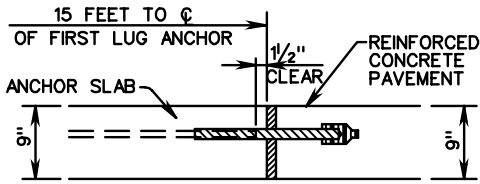


PLAN VIEW ANCHOR SLAB TYPE I

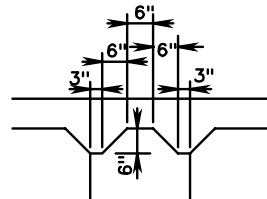


SECTION D-D

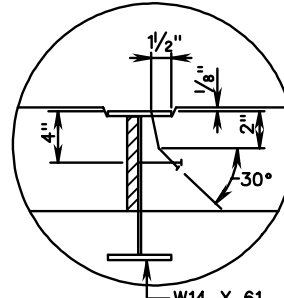


FOR DOWEL & JOINT DETAILS SEE DETAIL OF TRANSVERSE EXPANSION JOINT PR-2

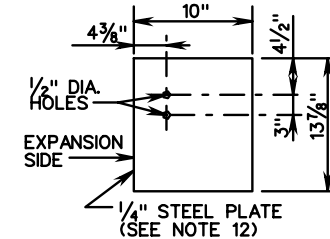
SECTION E-E ANCHOR SLAB TYPE I



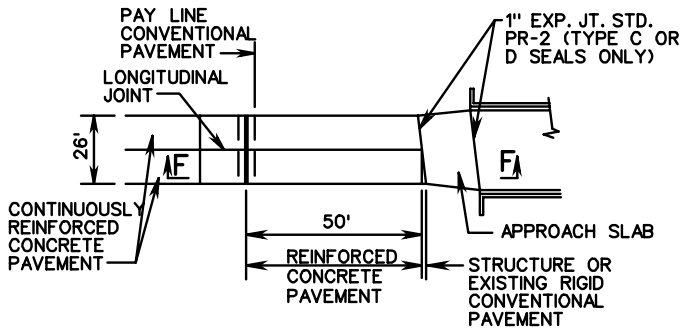
DETAIL-RAISED KEY CONSTRUCTION JOINT



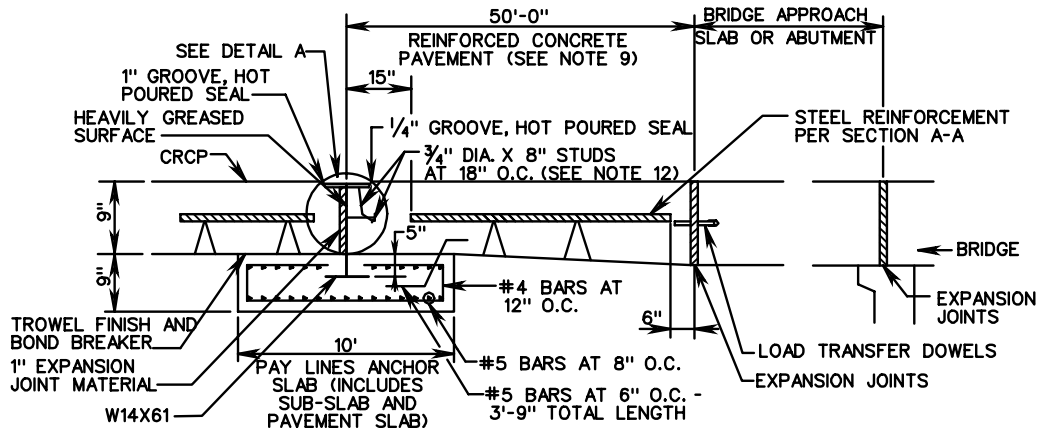
DETAIL A



END PLATE DETAIL ANCHOR SLAB TYPE II



PLAN VIEW II ANCHOR SLAB TYPE (SEE NOTE 11)



SECTION F-F ANCHOR SLAB TYPE II

SEE SHEET 3 OF 3 FOR NOTES.



ROAD AND BRIDGE STANDARDS

SHEET 2 OF 3

REVISION DATE

301.14

9" THICK CONTINUOUSLY REINFORCED CONC. PAVE.

(14 FOOT TRAVEL LANE)

VIRGINIA DEPARTMENT OF TRANSPORTATION

SPECIFICATION REFERENCE

316