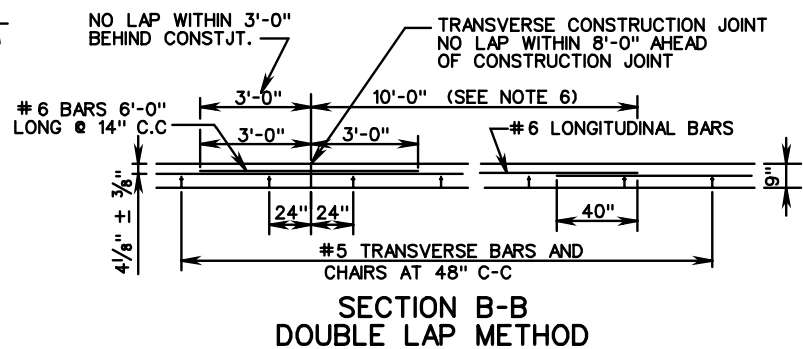
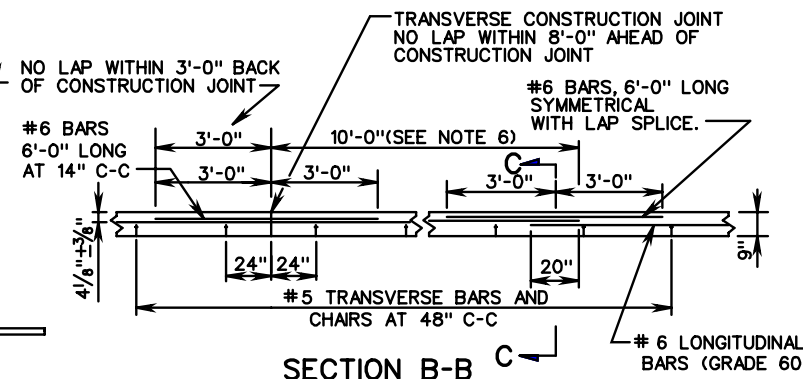


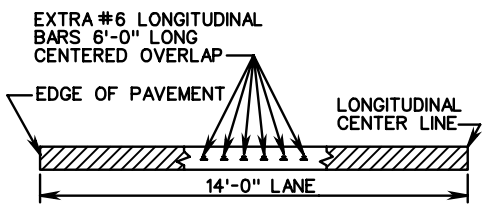
**PLAN VIEW
CONTINUOUSLY REINFORCED CONCRETE PAVEMENT**



**SECTION B-B
DOUBLE LAP METHOD**



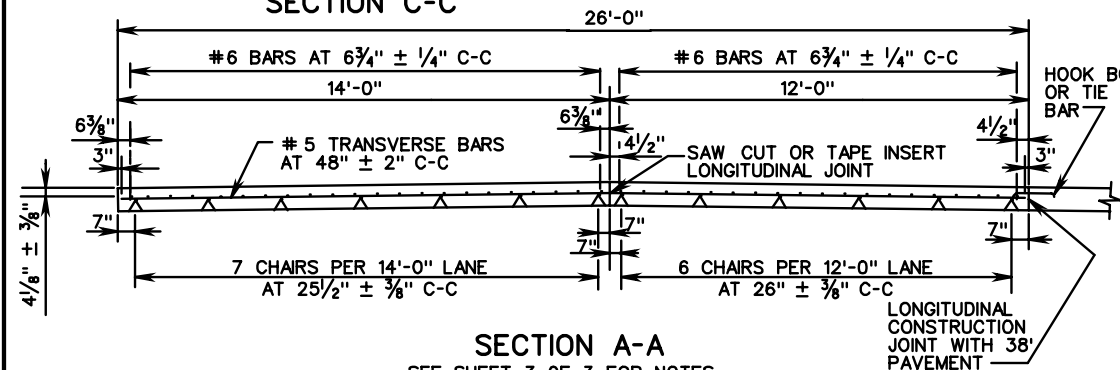
**SECTION B-B C
EXTRA BAR METHOD**



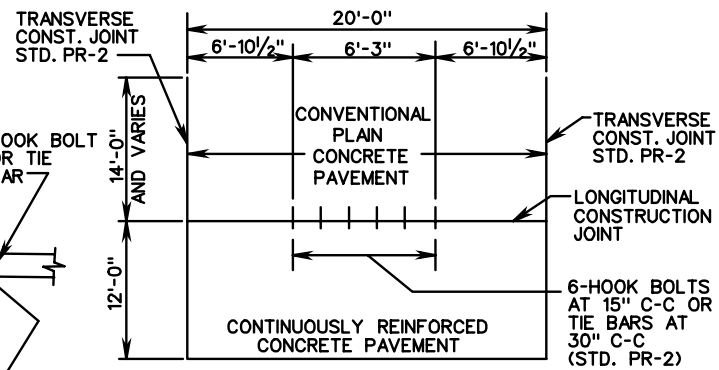
SECTION C-C

BARS TO BE SECURELY FASTENED TO PREVENT SEPARATION DURING CONCRETE PLACEMENT.

**TYPICAL
LONGITUDINAL LAP**



**SECTION A-A
SEE SHEET 3 OF 3 FOR NOTES.**



PLAN-RAMP & MAIN LINE CONNECTION

SPECIFICATION REFERENCE
316

**9" THICK CONTINUOUSLY REINFORCED CONC. PAVE.
(14 FOOT TRAVEL LANE)**

VIRGINIA DEPARTMENT OF TRANSPORTATION

VDOT	
ROAD AND BRIDGE STANDARDS	
REVISION DATE	SHEET 1 OF 3
301.13	