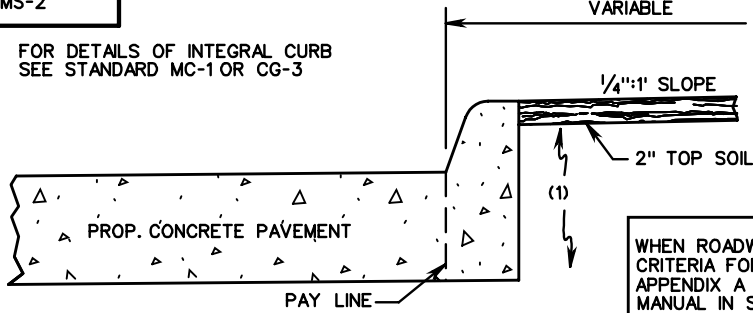


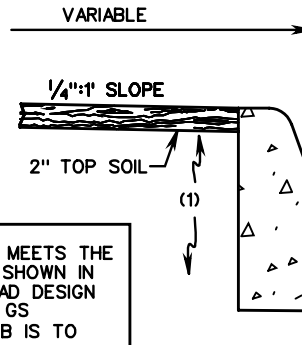
MS-2

FOR DETAILS OF INTEGRAL CURB  
SEE STANDARD MC-1 OR CG-3



HALF SECTION WITH PROP.  
CONCRETE PAVEMENT

WHEN ROADWAY DESIGN MEETS THE  
CRITERIA FOR CG-7 AS SHOWN IN  
APPENDIX A OF THE ROAD DESIGN  
MANUAL IN SECTION ON GS  
STANDARDS, MEDIAN CURB IS TO  
BE IN ACCORDANCE WITH CG-3



HALF SECTION WITH PROP. CONCRETE  
BASE WITH ASPHALT TOP

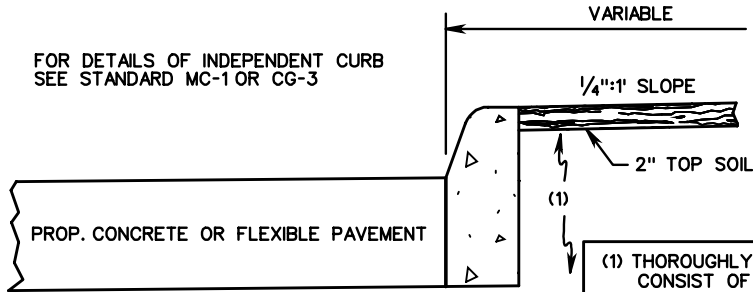
FOR DETAILS OF INTEGRAL CURB  
SEE STANDARD MC-1 OR CG-3

PROP. ASPHALT PAVEMENT

PROP. CONCRETE PAVEMENT

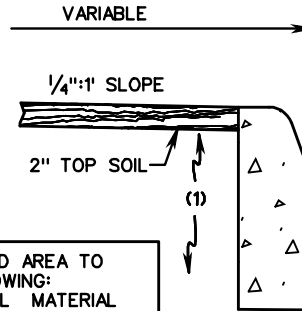
PAY LINE

FOR DETAILS OF INDEPENDENT CURB  
SEE STANDARD MC-1 OR CG-3



HALF SECTION WITH PROP. CONCRETE  
OR FLEXIBLE PAVEMENT

(1) THOROUGHLY COMPACTED AREA TO  
CONSIST OF THE FOLLOWING:  
IN FILLS - REGULAR FILL MATERIAL  
IN CUTS - UNDISTURBED EARTH AND  
REGULAR FILL MATERIAL,  
AS REQUIRED.  
(2) THOROUGHLY COMPACTED AREA TO  
CONSIST OF REGULAR FILL MATERIAL.



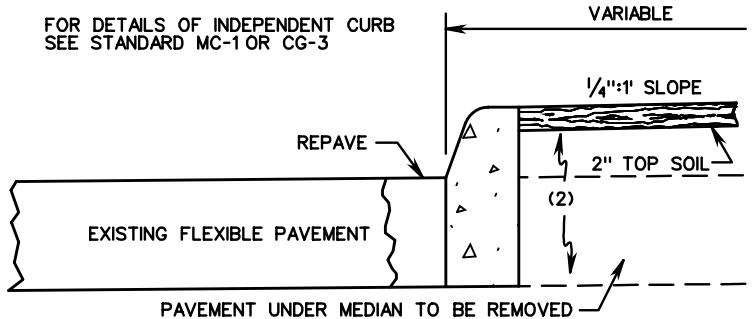
HALF SECTION WITH PROP. CONCRETE OR  
FLEXIBLE BASE WITH ASPHALT TOP

FOR DETAILS OF INDEPENDENT CURB  
SEE STANDARD MC-1 OR CG-3

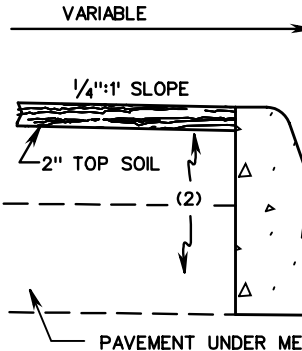
PROP. ASPHALT PAVEMENT

PROP. CONCRETE OR FLEXIBLE PAVEMENT

FOR DETAILS OF INDEPENDENT CURB  
SEE STANDARD MC-1 OR CG-3



HALF SECTION WITH EXISTING FLEXIBLE PAVEMENT



HALF SECTION WITH EXIST. FLEXIBLE BASE  
WITH ASPHALT TOP

FOR DETAILS OF INDEPENDENT CURB  
SEE STANDARD MC-1 OR CG-3

PROP. ASPHALT PAVEMENT

EXIST. FLEXIBLE PAVEMENT

PAVEMENT UNDER MEDIAN TO BE REMOVED



ROAD AND BRIDGE STANDARDS

SHEET 1 OF 1

REVISION DATE

202.04

# STANDARD RAISED GRASS MEDIAN STRIPS

VIRGINIA DEPARTMENT OF TRANSPORTATION

SPECIFICATION  
REFERENCE

502