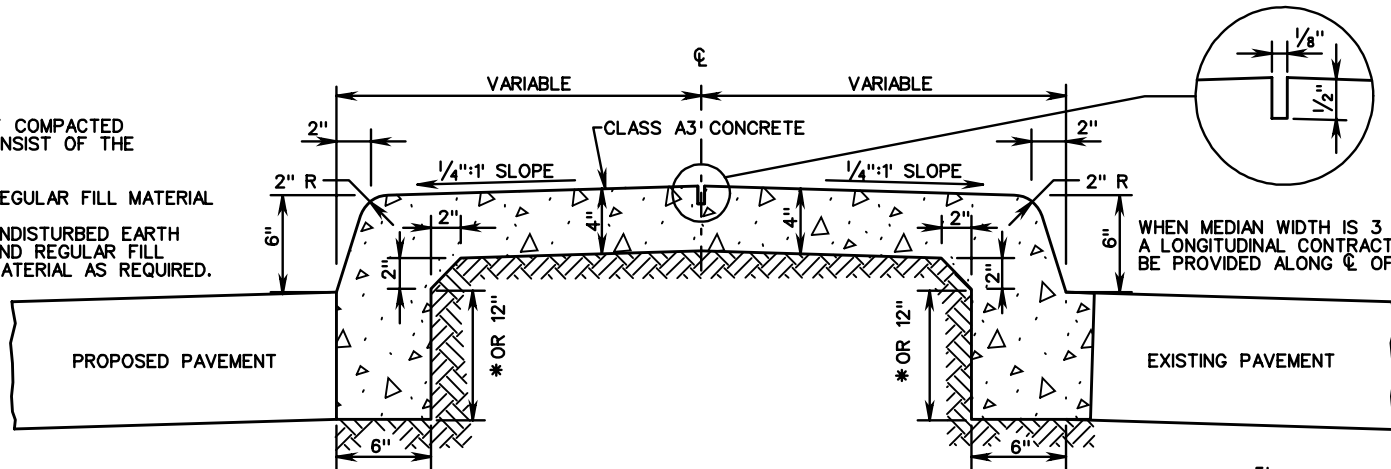


NOTES:

(1) THOROUGHLY COMPACTED AREA TO CONSIST OF THE FOLLOWING:

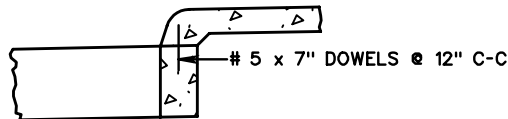
IN FILLS - REGULAR FILL MATERIAL

IN CUTS - UNDISTURBED EARTH AND REGULAR FILL MATERIAL AS REQUIRED.

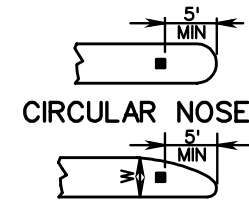
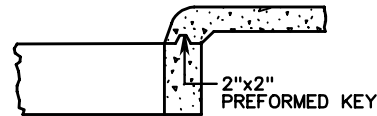


WHEN MEDIAN WIDTH IS 3 FEET OR GREATER, A LONGITUDINAL CONTRACTION JOINT SHALL BE PROVIDED ALONG ϕ OF MEDIAN STRIP.

SUGGESTED CONSTRUCTION METHOD IF TOP SLAB IS POURED SEPARATELY



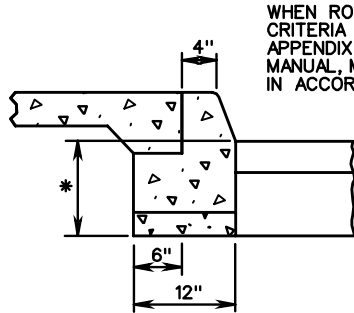
ALTERNATE CONSTRUCTION METHOD IF TOP SLAB IS POURED SEPARATELY



12" SQUARE HOLE FOR SIGN POST TO BE FORMED INTO INTRODUCED MEDIAN NOSES A MINIMUM OF 5' FROM THE NOSE.

W - 4' MIN

NON-SYMMETRICAL NOSE

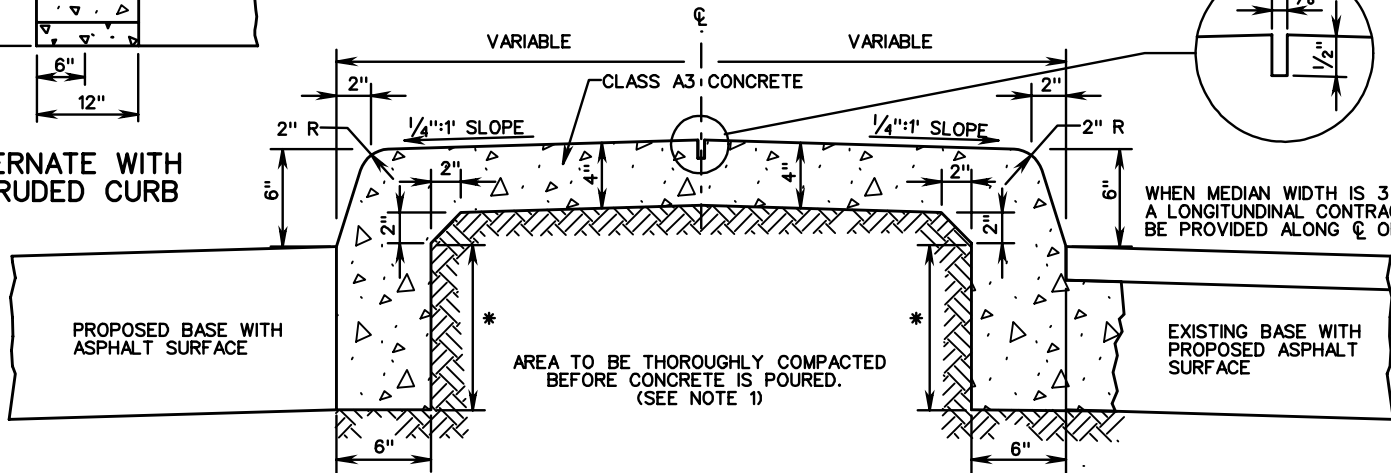


ALTERNATE WITH EXTRUDED CURB

WHEN ROADWAY DESIGN MEETS THE CRITERIA FOR CG-7 AS SHOWN IN APPENDIX A OF THE ROAD DESIGN MANUAL, MEDIAN CURB IS TO BE IN ACCORDANCE WITH STANDARD CG-3.

*THE DEPTH OF CURB MAY BE REDUCED AS MUCH AS 3" (9" DEPTH) OR INCREASED AS MUCH AS 3" (15" DEPTH) IN ORDER THAT THE BOTTOM OF CURB WILL COINCIDE WITH THE TOP OF A COURSE OF THE PAVEMENT STRUCTURE. OTHERWISE, THE DEPTH IS TO BE 12" AS SHOWN. NO ADJUSTMENT IN THE PRICE BID IS TO BE MADE FOR A DECREASE OR AN INCREASE IN DEPTH.

ADDITIONAL HOLES OF ADEQUATE SIZE TO BE PROVIDED FOR SIGN POSTS, DELINEATOR POSTS, ETC. AS SHOWN ON THE PLANS OR DIRECTED BY THE ENGINEER.



WHEN MEDIAN WIDTH IS 3 FEET OR GREATER A LONGITUDINAL CONTRACTION JOINT SHALL BE PROVIDED ALONG ϕ OF MEDIAN STRIP.

AREA TO BE THOROUGHLY COMPACTED BEFORE CONCRETE IS POURED. (SEE NOTE 1)

SPECIFICATION REFERENCE

502

STANDARD SOLID CONCRETE RAISED MEDIAN STRIP

VIRGINIA DEPARTMENT OF TRANSPORTATION

VDOT

ROAD AND BRIDGE STANDARDS

REVISION DATE

SHEET 1 OF 1

202.03