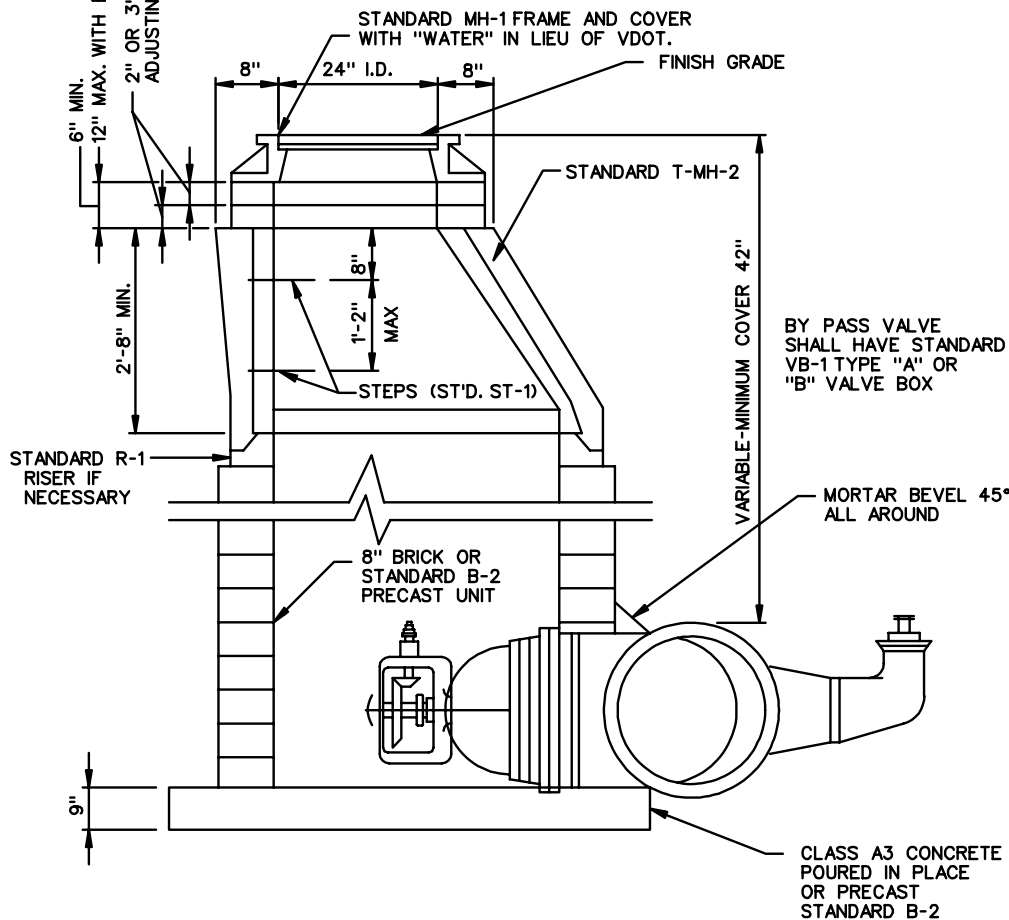


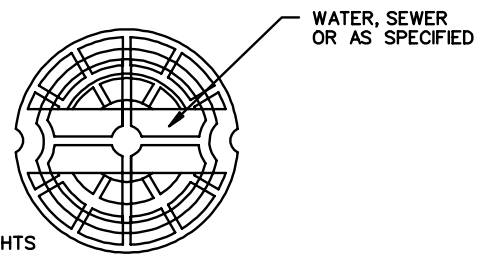
VM-1

6" MIN. 12" MAX. WITH EXCENTRIC CONE
 2" OR 3" REINFORCED CONCRETE
 ADJUSTING RINGS OR BRICK MASONRY



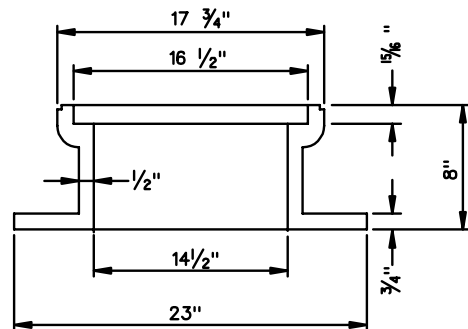
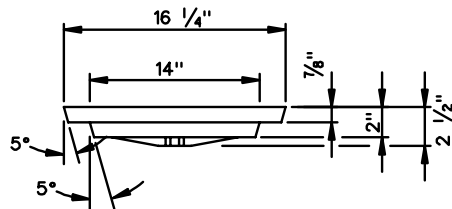
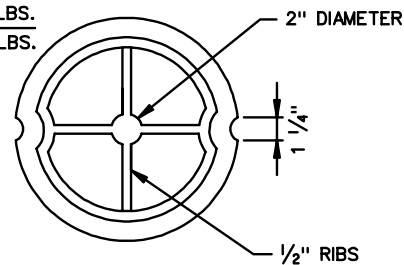
VALVE MANHOLE

VB-1



APPROXIMATE WEIGHTS

FRAME 115 ± 12 LBS.
 COVER 50 ± 3 LBS.
 TOTAL 165 ± 15 LBS.



TYPE "D"
 VALVE BOX



ROAD AND BRIDGE STANDARDS

SHEET 2 OF 2

REVISION DATE

1406.02

VALVE BOX AND VALVE MANHOLE
 (WATER AND SANITARY SEWER FACILITIES)

VIRGINIA DEPARTMENT OF TRANSPORTATION

SPECIFICATION
 REFERENCE