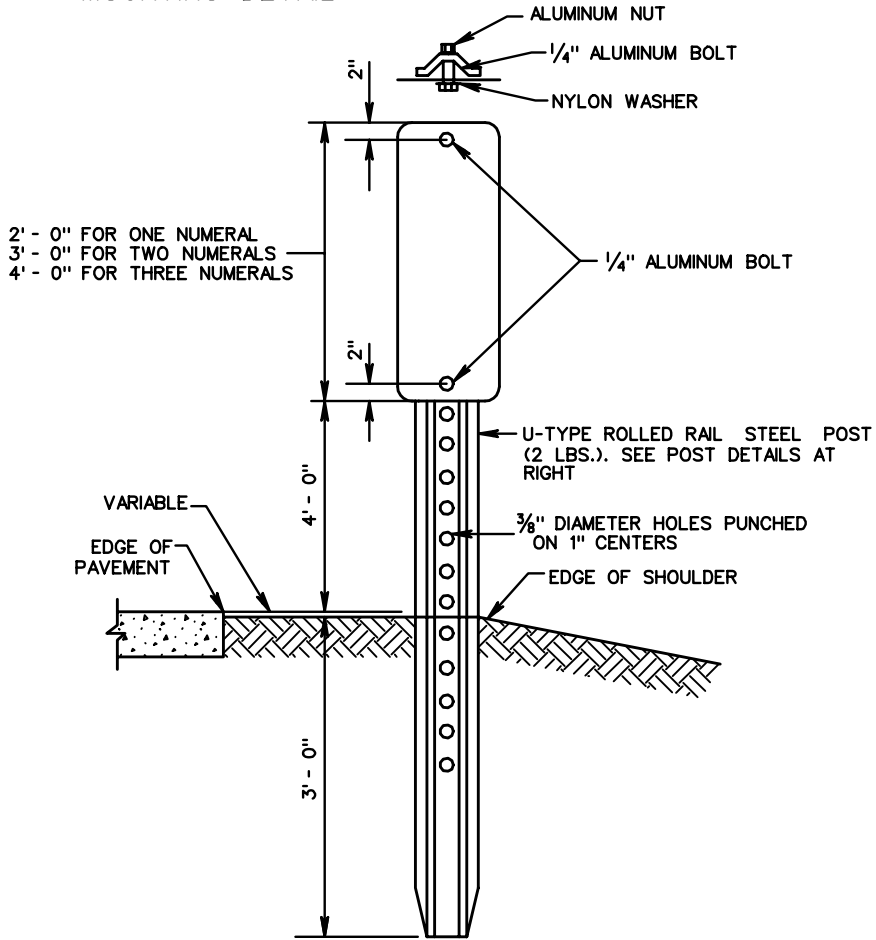


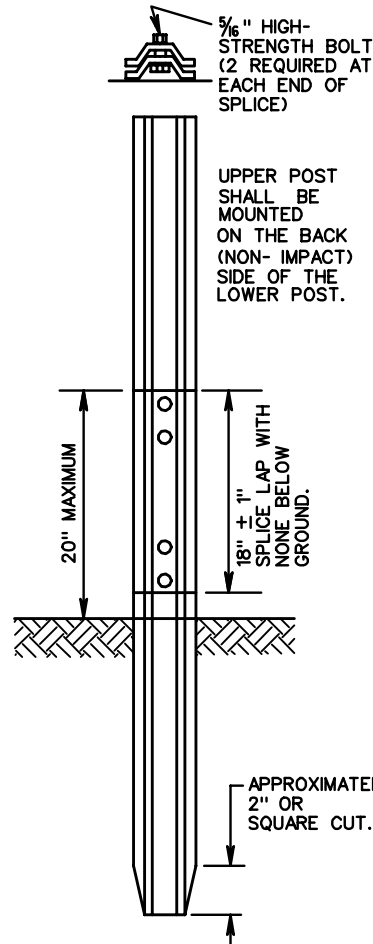
MM-1

**MOUNTING DETAIL**

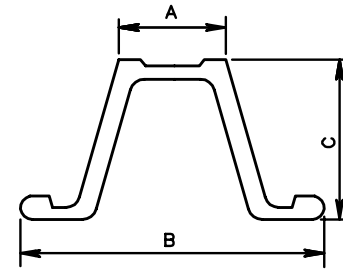


USP-1

**SPLICING DETAIL**



**POST SECTION DIMENSIONS**



1.33 LB./LF

MINIMUM	MAXIMUM
A. 1/2"	1"
B. 2"	2 1/4"
C. 3/4"	1 1/4"

2.00 LB./LF

MINIMUM	MAXIMUM
A. 1 3/4"	1 3/2"
B. 3 1/16"	3 1/8"
C. 1 7/16"	1 3/4"

**NOTES:**

DRIVING CAP TO BE USED WHEN DRIVING POST.

PANEL TO BE FABRICATED OF ASTM B209 ALLOY 6061-T6 OR 5052-H38, 0.080 THICK.

TOP OF PANEL TO BE FLUSH WITH TOP OF POST.

**ERECTION**

**ERECTION**

MILEPOST MARKERS TO BE LOCATED IN LINE WITH DELINEATOR POSTS, EDGE OF SHOULDER OR BACK OF GUARDRAIL, IF PRESENT.



ROAD AND BRIDGE STANDARDS

**MILEPOST MARKERS & U-TYPE STEEL POST**

SPECIFICATION REFERENCE

SHEET 1 OF 1

REVISION DATE

**TYPICAL STRUCTURE DETAILS**

VIRGINIA DEPARTMENT OF TRANSPORTATION

1328.10

701  
702